

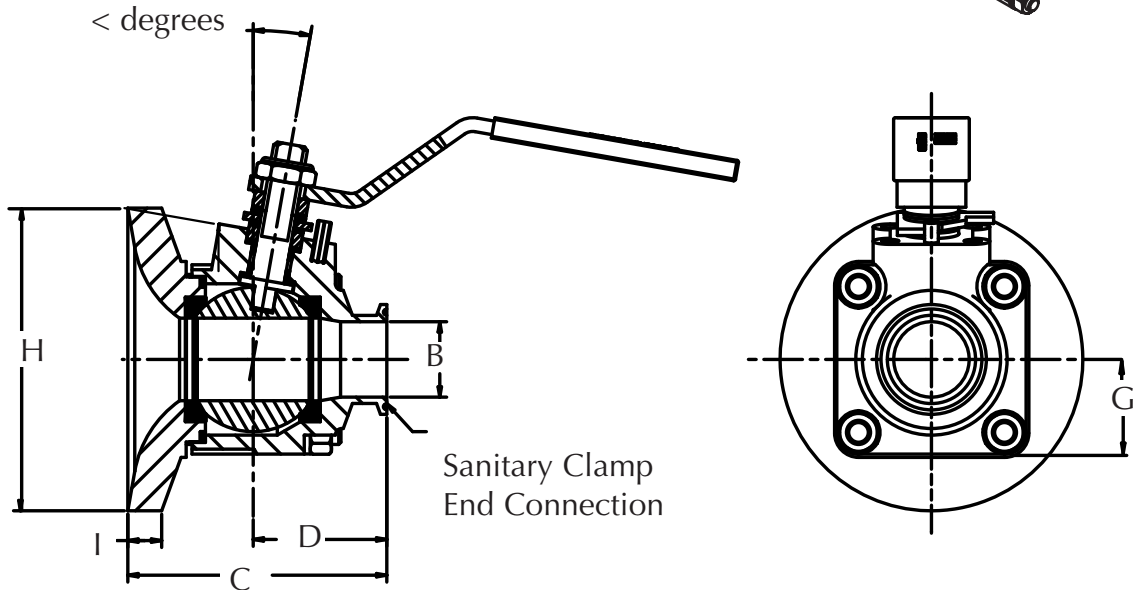
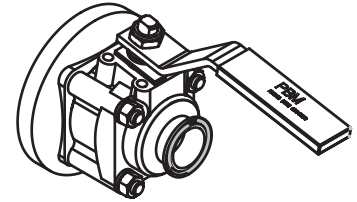


AF-Series 1 & 3

Size	Units	B Port	C	D	G ℄ to Bottom	H Pad Diameter	I Pad Thickness
			Face-to-Face X-Clamp	℄ to End X-Clamp			
1" DN 25	inches	1.00	3.88	2.24	1.69	3.70	0.53
	mm	25	99	57	43	94	13
1-1/2" DN 40	inches	1.50	4.71	2.43	1.78	5.50	0.62
	mm	38	120	62	45	140	16
2" DN 50	inches	1.94	5.51	2.84	2.12	7.00	0.68
	mm	49	140	72	54	178	17
3" DN 80	inches	2.75	7.88	3.81	3.87	10.00	0.79
	mm	70	200	97	98	254	20
4" DN 100	inches	3.50	8.94	4.66	4.47	11.50	0.91
	mm	89	227	118	114	292	23
6" DN 150	inches	5.24	14.59	9.03	6.31	15.00	1.04
	mm	133	371	229	160	381	26

Fire test qualified through 6".

1" & 1-1/2" = 10°
2", 3", 4", & 6" = 15°



AF-Series 1 & 3 Actuated

VTFE Seats														
Size	Actuator Model	Air supply		Port		A		B		C		D		E
		psig	barg	inches	mm	inches	mm	inches	mm	inches	mm	inches	mm	NPT Air Inlet inches
1" DN 25	DA 52	80, 60	5.5, 4.1	1.00	25.4	5.55	141	2.79	71	0.85	22	6.67	169	1/8
	SR 75	80, 60	5.5, 4.1			8.27	210	3.72	95	0.73	19	7.86	200	1/8
1-1/2" DN 40	DA 75	80, 60	5.5, 4.1	1.50	38.1	8.27	210	3.72	95	1.55	39	8.90	226	1/8
	SR 85	80	5.5			9.48	241	4.17	106	1.37	35	9.45	240	1/8
	SR 100	60	4.1			10.83	275	4.85	123	1.10		9.96	253	1/4
2" DN 50	DA 75	80, 60	5.5, 4.1	2.00	50.8	8.27	210	3.72	95	2.49	63	8.97	228	1/8
	SR 100	80	5.5			10.83	275	4.85	123	2.07	53	10.01	254	1/4
	SR 115	60	4.1			13.12	333	5.39	137	1.86	47	11.32	288	1/4
3" DN 80	DA 115	80, 60	5.5, 4.1	2.75	69.9	13.12	333	5.39	137	3.32	84	13.80	351	1/4
	SR 125	80	5.5			14.65	372	5.83	148	3.32	84	14.35	364	1/4
	SR 140	60	4.1			16.85	428	6.45	164	3.32	84	15.20	386	1/4
4" DN 100	DA 115	80, 60	5.5, 4.1	3.50	88.9	13.12	333	5.39	137	3.66	93	14.41	366	1/4
	SR 140	80, 60	5.5, 4.1			16.85	428	6.45	164	3.66	93	15.58	396	1/4
6" DN 150	DA 140	80, 60	5.5, 4.1	5.25	133.4	16.85	428	6.45	164	4.88	124	19.24	489	1/4
	SR 200	80	5.5			22.78	579	8.54	217	4.66	118	22.41	569	1/4
	SR 270	60	4.1			26.46	672	11.42	290	4.37	111	26.98	685	1/4

