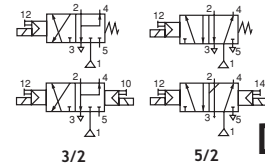




Pilot Operated
Direct Mount High Flow Valves
 Anodized Aluminum Bodies
 Direct NAMUR Mount • 1/4" NPT



3/2 • 5/2
 SERIES
8551
 Direct Mount

Features

- Compact spool valve convertible from 3/2 to 5/2.
- NAMUR Mount construction.
- Standard manual operator.
- DIN, Watertight and Explosionproof solenoids available.
- Single and dual solenoid constructions.
- Mountable in any position.
- Vents air from spring side of actuator to prevent corrosion of actuator.

Construction

Valve Parts in Contact with Fluid	
Body	Black Anodized Aluminum
Spring	Phosphate treated black steel
Shading Coil	Copper
Seals	NBR + PUR
Core and Core tube	Stainless Steel / Brass
End Covers and Plate	6/6 glass filled PA/FV
Spool	Aluminum
Internal Parts	Zamak, Steel, CA

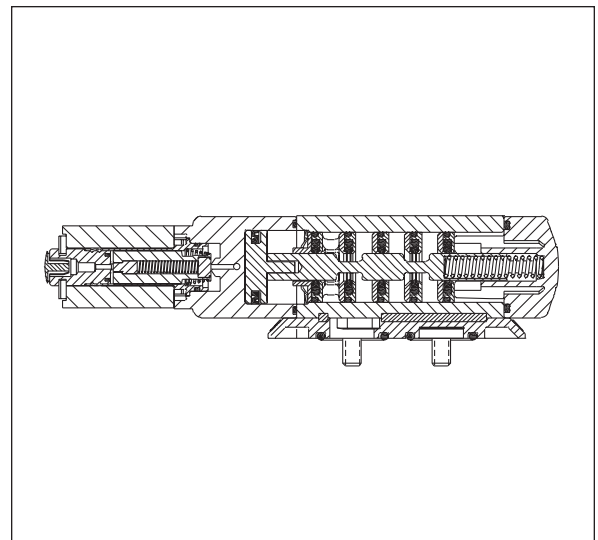
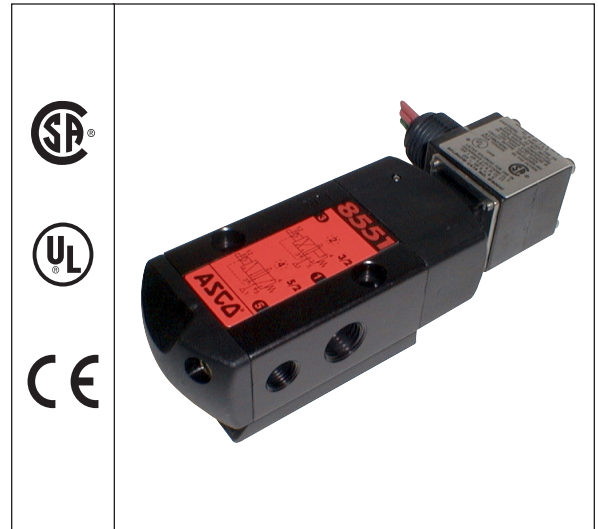
Electrical

Standard Coil and Class of Insulation	Enclosure Type	Watt Rating and Power Consumption				Spare Coil Part Number	
		DC Watts	AC Watts	VA Holding	VA Inrush	AC	DC
F	SC	3	2.5	3.5	6	400125	400125
F	EF	6.9	6.3	7	10.1	266762	270007
F	WT	6.9	6.3	7	10.1	266763	270008

Standard Voltages: SC: 24, 120, 240 volts AC, 50-60 Hz; 12, 24, 120 volts DC.
 WT and EF: 24/50-60Hz, (120/60, 110-120/50)①, (240/60, 220-240/50)②
 volts AC; 6, 12, 24, 120 volts DC.
Notes: ① Order as 120/60, 110/50
 ② Order as 240/60, 220/50

Solenoid Enclosures

Standard: - Prefix
SC = IP65 type DIN (open frame) per 46244
WT = Combination General Purpose and Watertight Types 1, 2, 3, 3S, 4, and 4X
EF = Combination Explosionproof and Watertight Types 3, 3S, 4, 4X, 6, 6P, 7, 9
 CLASS 1, DIV. 1 (Groups A - D) and CLASS 1, DIV.2 Type 9 (Groups E-G)
Optional:
 CENELEC (EEx d,m,em, and i)
 Low Power, Intrinsically Safe, and Red-Hat II versions.
Consult factory for details.



Nominal Ambient Temperature Ranges:

SC: AC/DC: 5°F to +140°F (-15°C to 60°C)

EF: AC: 5°F to +104°F (-15°C to 40°C)
 DC: 5°F to +77°F (-15°C to 25°C)

WT: AC: 5°F to +104°F (-15°C to 60°C)
 DC: 5°F to +77°F (-15°C to 25°C)

Note: For temperatures below 32°F (0°C) moisture-free air must be used. *Refer to Engineering Section for details.*

Approvals:

SC, WT: UL recognized component, CSA certified.
 EF: UL and CSA solenoid approval. Meets applicable CE directives. *Refer to Engineering Section for details.*

Option:

Metering-Specify suffix "M" when ordering.
 i.e.: SC8551A001MMS.
 Specify X and TPL 23006 for non breathing construction.

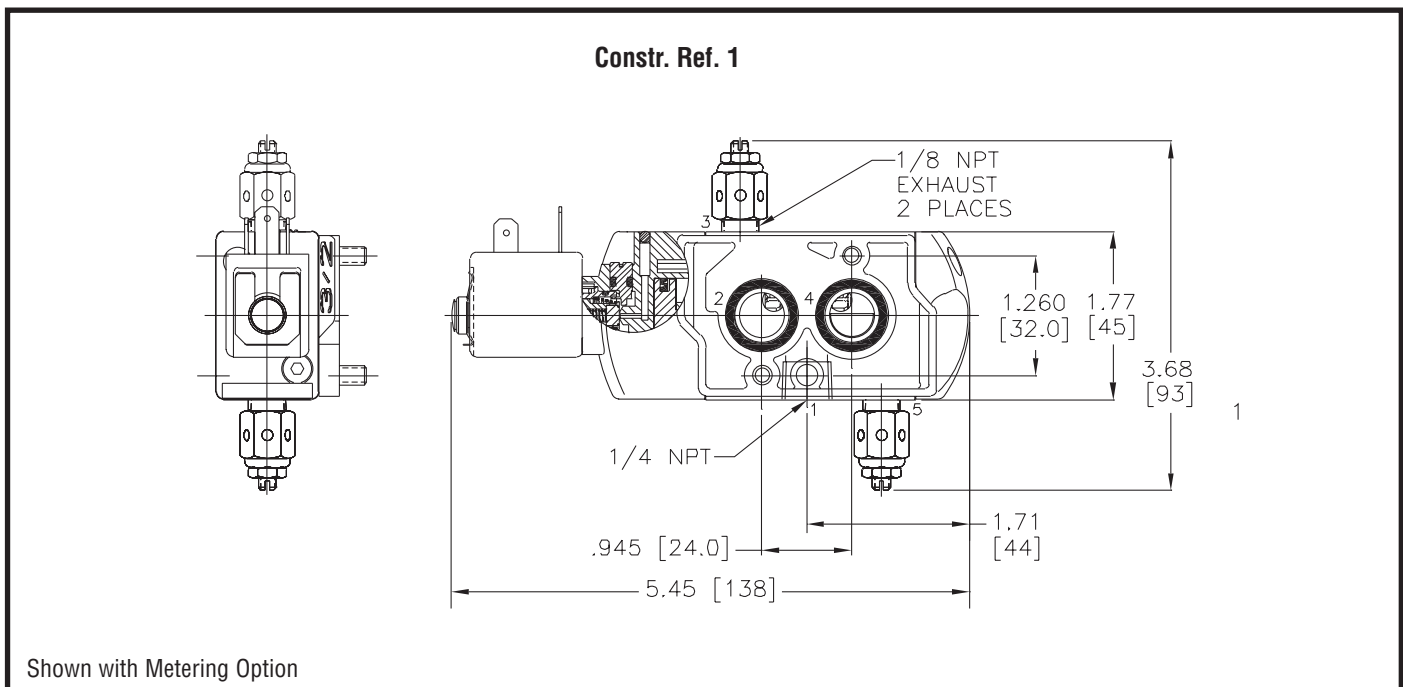
Specifications (English units)

Pipe Size (ins.)	Orifice Size (ins.)	Cv Flow Factor	Pilot Pressure		Fluid Temperature °F (for single and dual solenoid)			Single Solenoid		Dual Solenoid		Watt Rating/ Class of Coil Insulation		
			Minimum	Maximum	Minimum	Maximum AC	Maximum DC	Catalog Number	Constr. Ref. No.	Catalog Number	Constr. Ref. No.	AC	DC	
OPEN FRAME DIN COIL														
1/4 ①	1/4	.7	30	150	5	140	140	SC8551A001MS	1	SC8551A002MS	3	2.5	3	
WATERTIGHT ENCLOSURE														
1/4 ①	1/4	.7	30	150	5	140	77	WT8551A001MS	2	WT8551A002MS	4	6.3	6.9	
EXPLOSIONPROOF ENCLOSURE														
1/4 ①	1/4	.7	30	150	5	104	77	EF8551A001MS	2	EF8551A002MS	4	6.3	6.9	
Note: ① 1/8 inch NPT exhausts.														

Specifications (Metric units)

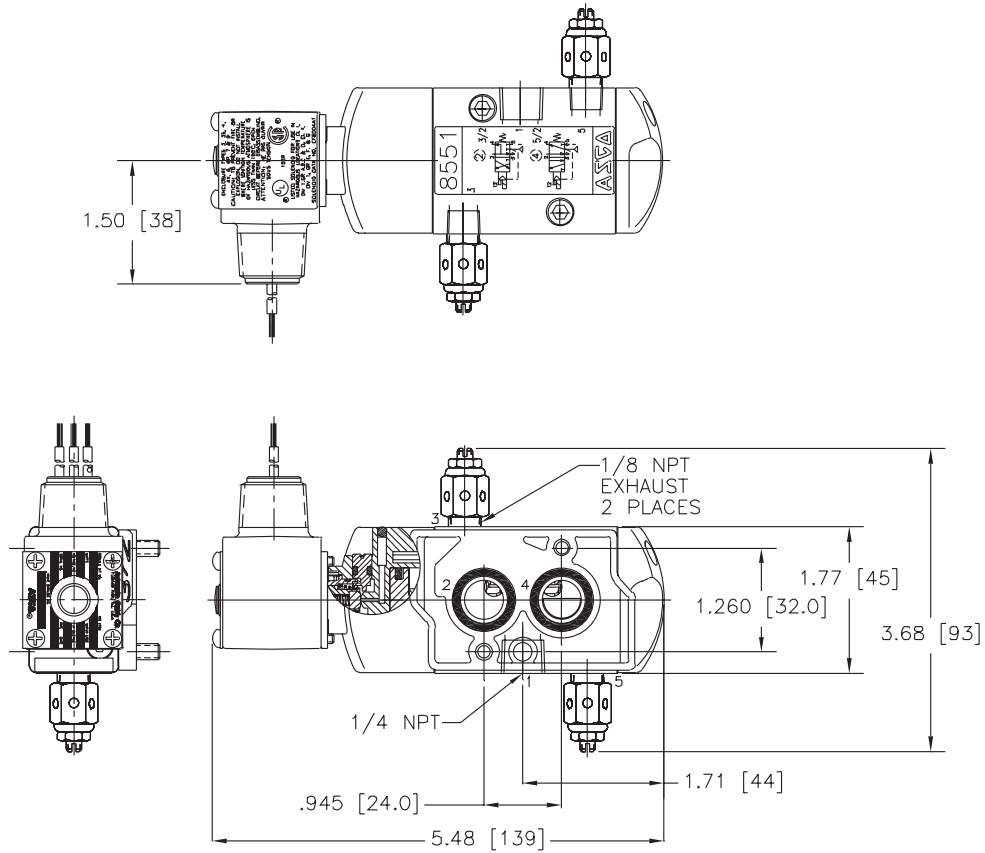
Pipe Size (ins.)	Orifice Size (mm)	Kv Flow Factor (m3/h)	Pilot Pressure (bars)		Fluid Temperature °C (for single and dual solenoid)			Single Solenoid		Dual Solenoid		Watt Rating/ Class of Coil Insulation		
			Minimum	Maximum	Minimum	Maximum AC	Maximum DC	Catalog Number	Constr. Ref. No.	Catalog Number	Constr. Ref. No.	AC	DC	
OPEN FRAME DIN COIL														
1/4 ①	6.4	.6	2	10	-15	60	60	SC8551A001MS	1	SC8551A002MS	3	2.5	3	
WATERTIGHT ENCLOSURE														
1/4 ①	6.4	.6	2	10	-15	60	25	WT8551A001MS	2	WT8551A002MS	4	6.3	6.9	
EXPLOSIONPROOF ENCLOSURE														
1/4 ①	6.4	.6	2	10	-15	40	25	EF8551A001MS	2	EF8551A002MS	4	6.3	6.9	
Note: ① 1/8 inch NPT exhausts.														

Dimensions: inches (mm)



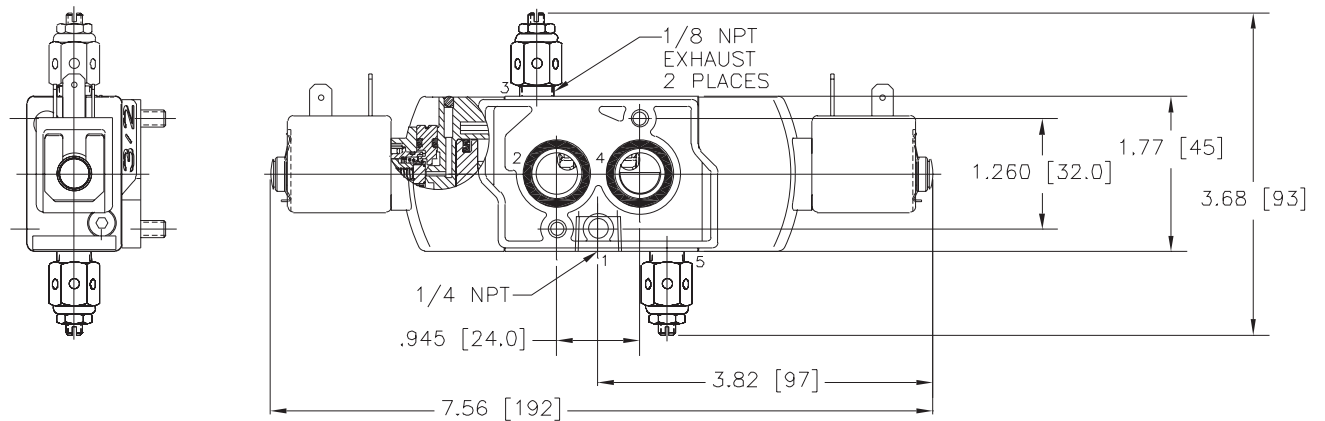
Dimensions: inches (mm)

Constr. Ref. 2



Shown with Metering Option

Constr. Ref. 3



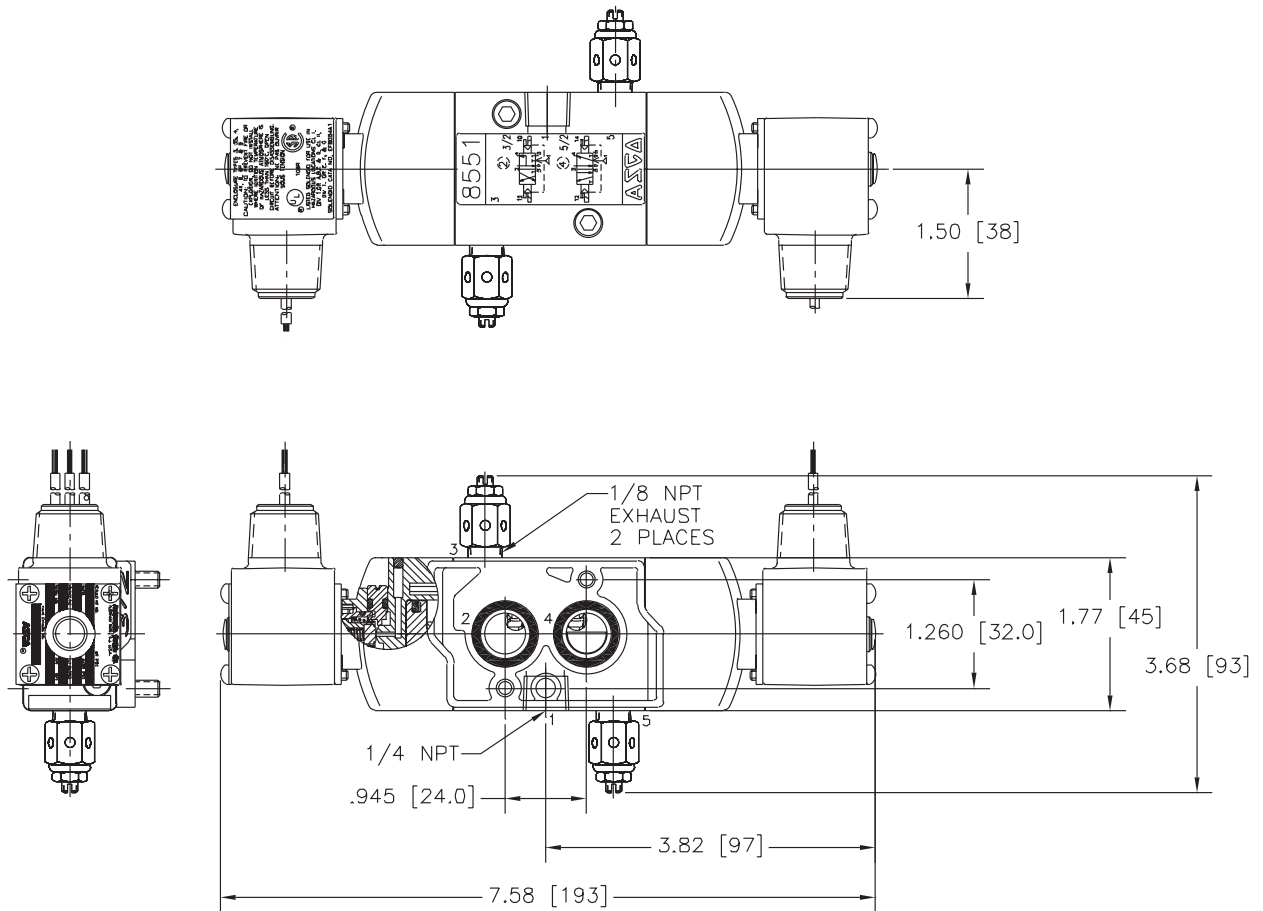
Shown with Metering Option

SERIES
8551
Direct Mount



Dimensions: inches (mm)

Constr. Ref. 4



Shown with Metering Option