

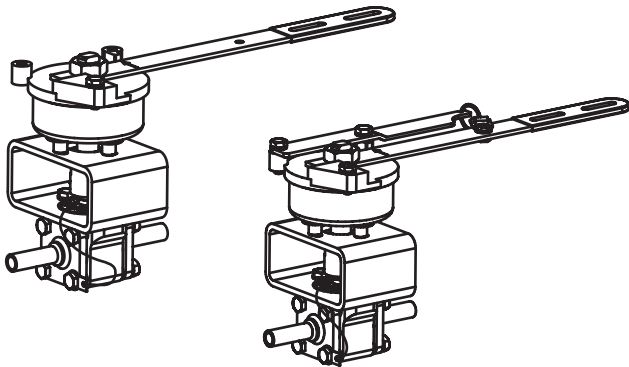


## Sanitary Fire-Rated Series 6 valves

PBM's Sanitary Fire Rated design valves accommodate flammable media in sanitary process environments.

### Features:

- 1/2" through 3" sizes, 3 piece, 2-way
- Passed API-607 Ed. 4 testing
- 316L stainless (ASTM A351 CF3M), Hastelloy® C276 and other ASME B16.34 listed materials.

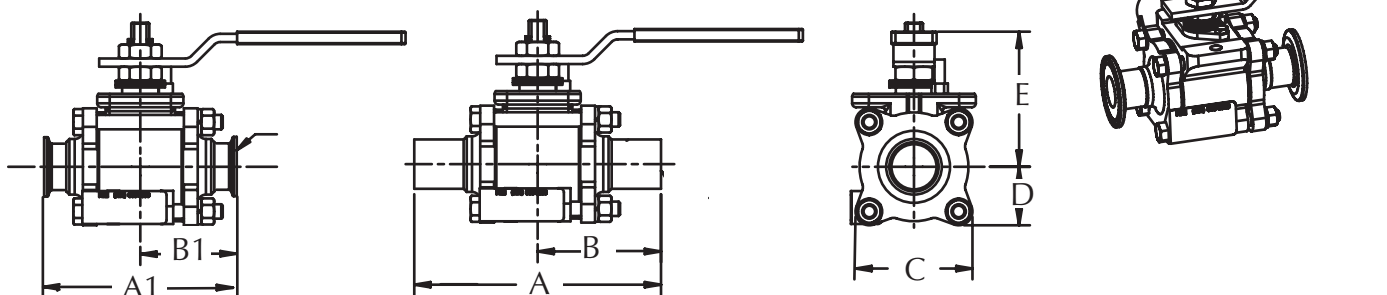


### Manual Ball Valves with Spring Return Handle and Optional Fusible Link

PBM's Igenix® Sanitary Series 6 Manual Valves can be modified with a bracket-mounted Spring Return Handle unit. The Spring Return Handle unit can be equipped with an optional fusible link specified to a customer's required melt temperature, which closes the valve during fire conditions.

Valve Size	SI Series Part #	Units	Ball I.D.	Tubing Ga.	A1 Clamp	A Weld	B1 Clamp	B Weld	C	D	E	Approx. Weight
1/4" DN 8	SI--A6F---	inches	0.37	20 ga.		5.50		2.75	1.84	0.92	2.63	1.5 lbs.
		mm	9			140		70				47
3/8" DN 10	SI--B6F---	inches	0.37	20 ga.		5.50		2.75	1.84	0.92	2.63	1.5 lbs.
		mm	9			140		70				47
1/2" DN 15	SI--C6F---	inches	0.37	16 ga.	3.50	5.50	1.75	2.75	1.84	0.92	2.63	1.6 lbs.
		mm	9		89	140	44	70	47	23	67	.7 kg.
3/4" DN 20	SI--D6F---	inches	0.62	16 ga.	4.00	5.50	2.00	2.75	2.00	1.00	2.78	2 lbs.
		mm	16		102	140	51	70	51	25	71	.9 kg.
1" DN 25	SI--E6F---	inches	0.87	16 ga.	5.37	6.00	2.69	3.00	2.66	1.33	3.03	4.5 lbs.
		mm	22		136	152	68	76	68	34	77	2.0 kg.
1-1/2" DN 40	SI--G6F---	inches	1.37	16 ga.	5.50	7.50	2.75	3.75	3.56	1.78	4.10	10 lbs.
		mm	35		140	191	70	95	90	45	104	4.5 kg.
2" DN 50	SI--H6F---	inches	1.87	16 ga.	6.25	8.00	3.12	4.00	4.30	2.15	4.41	15.3 lbs.
		mm	47		159	203	79	102	109	55	112	6.9 kg.
2-1/2" DN 65	SI--J6F---	inches	2.37	16 ga.	8.00	11.50	4.00	5.75	5.58	2.79	6.45	36 lbs.
		mm	60		203	292	102	146	142	71	164	16.3 kg.
3" DN 80	SI--K6F---	inches	2.87	16 ga.	9.00	13.50	4.50	6.75	6.28	3.14	6.78	49 lbs.
		mm	73		229	343	114	171	160	80	172	22.2 kg.

Sanitary Clamp



## Automated Series 6 Valves with Direct Mount Actuation

Valve Size	SI, FI Valve Number	Units	DOUBLE ACTING, TFM™ SEATS*									
			80 psig / 5.5 barg Supply Air					60 psig / 4.1 barg Supply Air				
			A	B	C	D	E	A	B	C	D	E
1/2" DN15	** --C6#---	inches	5.55	2.80	5.84	1.61	1/8	5.55	2.80	5.84	1.61	1/8
		mm	141	71	148	41		141	71	146	41	
3/4" DN 20	** --D6#---	inches	5.55	2.80	5.99	1.61	1/8	5.55	2.80	5.99	1.61	1/8
		mm	141	71	152	41		141	71	152	41	
1" DN 25	** --E6#---	inches	5.55	2.80	6.64	1.61	1/8	5.55	2.80	6.64	1.61	1/8
		mm	141	71	169	41		141	71	169	41	
1-1/2" DN 40	** --G6#---	inches	6.46	3.17	8.39	1.77	1/8	8.27	3.72	9.10	2.07	1/8
		mm	164	81	213	45		210	94	231	53	
2" DN 50	** --H6#---	inches	8.27	3.72	9.41	2.07	1/8	8.27	3.72	9.41	2.07	1/8
		mm	210	94	239	53		210	94	239	53	
2-1/2" DN 65	** --J6#---	inches	13.11	5.39	13.48	2.87	1/4	13.11	5.39	13.48	2.87	1/4
		mm	333	137	342	73		333	137	342	73	
3" DN 80	** --K6#---	inches	13.11	5.39	13.81	2.87	1/4	13.11	5.39	13.81	2.87	1/4
		mm	333	137	351	73		333	137	351	73	

Valve Size	SI, FI Valve Number	Units	SPRING RETURN, TFM™ SEATS*									
			80 psig / 5.5 barg Supply Air					60 psig / 4.1 barg Supply Air				
			A	B	C	D	E	A	B	C	D	E
1/2" DN 15	** --C6#---	inches	5.55	2.80	5.84	1.61	1/8	6.46	3.17	6.27	1.77	1/8
		mm	141	71	148	41		164	81	159	45	
3/4" DN 20	** --D6#---	inches	6.46	3.17	6.44	1.77	1/8	6.46	3.17	6.44	1.77	1/8
		mm	164	81	164	45		164	81	164	45	
1" DN 25	** --E6#---	inches	8.27	3.72	7.80	2.07	1/8	8.27	3.72	7.80	2.07	1/8
		mm	210	94	198	53		210	94	198	53	
1-1/2" DN 40	** --G6#---	inches	10.83	4.84	10.16	2.68	1/4	10.83	4.84	10.16	2.68	1/4
		mm	275	123	258	68		275	123	258	68	
2" DN 50	** --H6#---	inches	10.83	4.84	10.47	2.68	1/4	13.11	5.39	11.82	2.87	1/4
		mm	275	123	266	68		333	137	300	73	
2-1/2" DN 65	** --J6#---	inches	13.11	5.39	13.48	2.87	1/4	14.65	5.83	13.96	3.15	1/4
		mm	333	137	342	73		372	148	355	80	
3" DN 80	** --K6#---	inches	14.65	5.83	14.29	3.15	1/4	17.13	6.46	15.18	3.44	1/4
		mm	372	148	363	80		435	164	386	87	

\*Consult factory for other seat materials.

\*\* True Bore® Valve Series SI, FI

# End Connection type (See Order Codes)

\*\* Operator Code (See Order Codes)

