



Igenix® Cast Series 9 or Forged Series 8 2-Way Sanitary and Clean Steam Valves

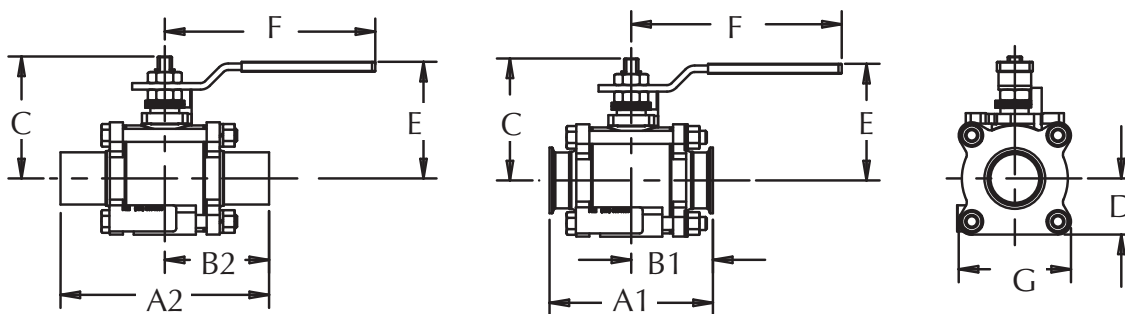
U.S. Dimensioned valves in inches													
Valve Size	Size Code	I.D. Port	A1	A2	B1	B2	C	D	E	F	G	H	Approx. Wgt. (lbs)
1/2"***	C	0.37	3.50	5.50	1.75	2.75	1.70	0.75	2.03	4.00	1.50	1.50	1.1
3/4"***	D	0.62	4.00	6.00	2.00	3.00	1.86	0.85	2.19	4.00	1.68	1.50	1.4
1"***	E	0.87	4.50	6.50	2.25	3.25	2.40	1.09	2.97	4.15	2.18	1.50	2.7
1-1/2"***	G	1.37	5.50	7.50	2.75	3.75	3.89	1.68	4.91	8.81	3.31	1.50	8.9
2"***	H	1.87	6.25	8.00	3.12	4.00	4.67	2.15	4.41	8.06	4.30	1.75	15.0
2-1/2"*	J	2.37	8.00	11.50	4.00	5.75	6.51	2.79	6.46	12.06	5.58	2.31	36.0
3"***	K	2.87	8.00	10.50	4.00	5.25	6.76	2.78	6.71	12.06	5.58	1.75	33.0
4"***	L	3.84	10.00	13.00	5.00	6.50	7.53	3.66	7.48	12.06	7.33	2.00	67.0
6"*	M	5.78	13.00	17.00	6.50	8.50	12.14	6.18	CF	CF	12.37	2.50	164.0

*Cast Only
**Wrought Material or Cast

Forged valves are < 1% ferrite.
Cast valves are < 2% ferrite.

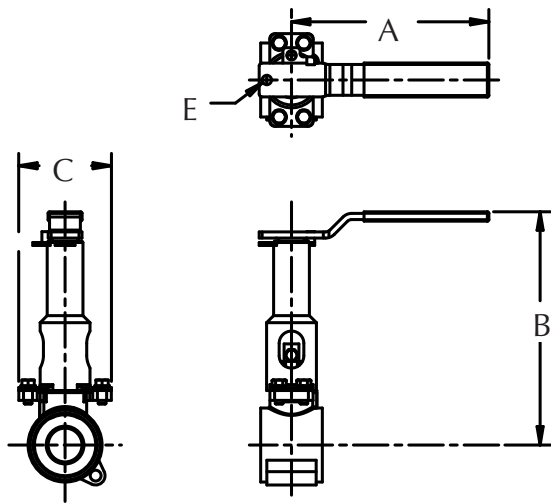
ISO 1127 Dimensioned valves in mm														
Valve Size	Size Code	I.D. Port	Tube O.D.	Tube wall	Tube Series	A2	B2	C	D	E	F	G	H	Approx. Wgt. (kg.)
DN 8	1	10.3	13.5	1.6	1	140	70	44	19	52	103	38	38	0.5
DN 10	2	14.0	17.2	1.6	1	150	75	48	22	56	103	38	38	0.6
DN 15	3	18.1	21.3	1.6	1	165	83	62	28	76	131	55	38	1.2
DN 20	4	23.7	26.9	1.6	1	190	95	100	43	126	226	84	38	4.0
DN 25	5	29.7	33.7	2.0	1	190	95	100	43	126	226	84	38	4.0
DN 32	6	38.4	42.4	2.0	1	190	95	100	43	126	226	84	38	4.0
DN 40	7	44.3	48.3	2.0	1	200	100	120	55	113	208	109	42	6.8

DIN 11850 Dimensioned valves in mm														
Valve Size	Size Code	I.D. Port	Tube O.D.	Tube wall	Tube Series	A2	B2	C	D	E	F	G	H	Approx. Wgt. (kg.)
DN 8	1	8	10	1.0	1	140	70	52	19	52	102	38	38	0.5
DN 10	2	10	13	1.5	2	140	70	52	19	52	102	42	38	0.5
DN 15	3	16	19	1.5	2	152	76	56	22	76	105	42	38	1.2
DN 20	4	20	23	1.5	2	165	83	76	28	76	105	55	38	1.2
DN 25	5	26	29	1.5	2	190	95	100	43	125	224	84	38	4.0
DN 32	6	32	35	1.5	2	190	95	100	43	125	224	84	38	4.0
DN 40	7	38	41	1.5	2	190	95	100	43	125	224	84	38	4.0
DN 50	8	50	53	1.5	2	200	100	120	55	119	205	109	42	6.8



Igenix® Cast Series 9 or Forged Series 8 Extended Locking Lever Handle Extended Locking Lever Handle

Valve Size			A		B - 2"		C		B - 4"		E	
US	DN ID	ISO	inches	mm	inches	mm	inches	mm	inches	mm	inches	mm
1/2"	8, 10	8	5.09	129	4.00	102	2.50	64	6.00	152	0.31	8
3/4"	-	10	5.09	129	4.14	105	2.50	64	6.14	156	0.31	8
1"	15,20	15	5.09	129	5.44	138	3.50	89	7.44	189	0.31	8
1-1/2"	25,32,40	20,25,32	8.00	203	7.46	189	3.75	95	9.46	240	0.38	10
2"	50	40	8.00	203	7.74	197	4.30	109	9.74	247	0.38	10
2-1/2"	-	-	12.10	307	9.36	238	5.58	142	11.36	289	0.38	10
3"	-	-	12.40	315	9.61	244	5.58	142	11.61	295	0.38	10
4"	-	-	12.40	315	10.38	264	7.33	186	12.38	314	0.38	10



Note: 2" extension standard on 1/2" - 2". 4" extension standard on 2-1/2" - 4".

Manual Valves with Tubing Ends (inches)				
Valve Size	Tube OD	Insulation max with no extension	Insulation max with 2" extension	Insulation max with 4" extension
1/2"	0.500	0.76	2.68	4.68
3/4"	0.750	0.79	2.72	4.72
1"	1.000	1.45	3.88	5.88
1-1/2"	1.500	3.10	5.57	7.57
2"	2.000	2.31	5.60	7.60
2-1/2"	2.500	4.00	6.88	8.88
3"	3.000	4.08	6.88	8.88
4"	4.000	4.35	7.12	9.12

Maximum insulation dimensions shown allow for 3/4" of clearance between outside of insulation and bottom of handle.

Locking Handle

Valve Size			A		B		C	
US	DIN	ISO	inches	mm	inches	mm	inches	mm
1/2"	8, 10	8	4.00	102	2.03	52	1.55	39
3/4"	-	10	4.00	102	2.19	56	1.55	39
1"	15,20	15	5.10	130	2.97	75	1.64	42
1-1/2"	25,32,40	20,25,32	8.80	224	4.91	125	2.57	65
2"	50	40	8.10	206	4.41	112	2.57	65
2-1/2"	-	-	12.40	315	6.46	164	3.84	98
3"	-	-	12.40	315	6.75	171	3.84	98
4"	-	-	12.40	315	7.75	197	3.84	98

