

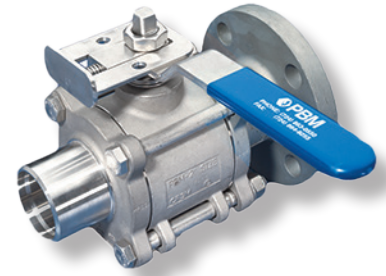
# PBM INDUSTRIAL 2-WAY STEAM VALVE

## SD Series 5, 1/4" - 6"



### DESIGN FEATURES:

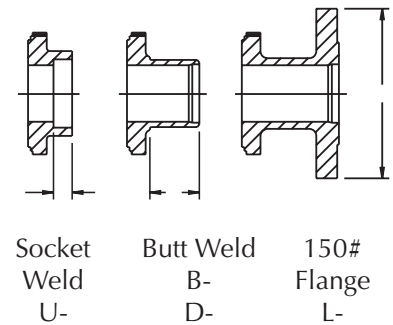
- Unique Adjust-O-Seal® feature allows in-line valve adjustment to compensate for normal wear on valve seats. Note: **SD Series valves have o-rings.**
- Valve shall be a three-piece "swing-out" body design.
- Upstream and downstream bubble-tight sealing capability allows valve body cleaning, purging, and draining.
- Stem assembly accommodates PBM Direct Mount Actuation for accurate alignment and increased cycling life.
- Full port design
- Valves are rated to full vacuum.
- Valves shall be a non-firesafe design unless otherwise specified.
- Solder Joint and Sil-brazed ends are bronze only.
- Socket weld ends for bronze valves must be 90/10 CuNi or 70/30 CuNi.



SPECIFICATIONS	2-Way Industrial Steam Valves
Sizes	1/4" - 6" Series 5
Material	316/316L, Hastelloy™ C-276, Carbon Steel, Bronze Alloy 922, 89833 Bronze or other
Temperatures	Ambient for TFM™ to 400° F, S-TEF® to 450°F, PEEK to 500°F
End Connections	Flange, NPT, Butt weld and Sil-braze for pipe, Socket weld for pipe, Solder Joint for tube
O-rings	EPR O-ring energizer (Viton V1274-75/80, EPR E3608-70, others available)
Seat, Seals & Stem Packings	TFM™ and S-TEF®
Body Bolts & Nuts	18-8 Stainless Steel
Maximum Working Pressure	up to 900 psig CWP depending on valve series, size and temperature

CV Values (gpm)	
Size	Series 5
1/4"	5*
3/8"	10*
1/2"	12
3/4"	42*
1"	73
1-1/2"	170
2"	360
2-1/2"	650
3"	935
4"	1,900
6"	4,800

End Fitting Length or Diameter			
Size	U-	B-D-	L-
1/4", 3/8"	0.41	1.50	—
1/2"	0.41	1.50	3.50
3/4"	0.53	1.50	3.88
1"	0.53	1.50	4.25
1-1/2"	0.53	1.50	5.00
2"	0.66	1.75	6.00
2-1/2"	0.69	2.31	7.00
3"	0.69	2.31	7.50
4"	0.81	2.31	9.00
6"	NA	3.75	11.00



### How To Order:

PRODUCT (1-2)		MATERIAL (3-4)		SIZE (5)		SERIES (6)		END CONN. (7-8)		SEAT & SEAL (9)		PURGES (10-11)		BALL & STEM (12)		OPERATOR (13-14)		POLISH (15-16)	
SD	H-	Cast 316/316L	S / S	C	1/2"	5	B-	Sch. 40 Butt Weld	G	TFM™ Seats / Seals / FKM O-Rings	--	No Purge Port or Ball Option	-	Standard Ball and Stem	--	W/ Standard Lever Handle	-	125 Ra ID Standard	
	HL	Cast 316L	S / S	D	3/4"		D-	Sch. 10 Butt Weld	J	TFM Seats / Seals / VTFE Cav Fill / FKM O-Rings	- 8	Self Flushing Ball	F	Internal / External Grounding	02	W/O Handle W/ Stem Actuator Prep	A	20 Ra ID	
	C-	Hastelloy C-276		E	1"		J-	Ext. Socket Weld	Z	TFM Seats / Seals / EPR O-Rings	- V	Slotted V-Ball	G	17-4PH Stem	04	Locking Lever Handle	C	20 Ra ID / 32 Ra OD	
				G	1-1/2"	L-	150# Flange*	- W	30° V-Ball	08	Gear Operator (Req'd for 6")								
	Y-	Hastelloy C-22		H	2"		M-	300# Flange*	2	TFM Seats / Seals / VTFE Cav Fill / EPR O-Rings	- X	45° V-Ball			18	Extended Handle (thru 4")	F	20 Ra ID after Electro Polish	
				J	2-1/2"	P-	Male NPT	- Y	60° V-Ball	20	DA 80psig actuator								
	P-	AL6XN		K	3"		Q-	Female NPT	H	S-TEF® Seats / Seals / FKM O-Rings	Other Purge Port & Ball Options - Contact PBM.				27	DA 60psig actuator	More polish available - Contact PBM		
	N-	922 Bronze		L	4"		S-	Sil Braze 1 Groove	0	S-TEF® Seats / Seals / EPR O-Rings					34	SR 80psig actuator			
	G-	89833 Bronze		M	6"		T-	Solder Joint	9	TFM Seats / Seals / FEP Encaps. FKM O-Rings	Other Seat/seal options available - Contact PBM.				41	SR 60psig actuator			
							U-	Socket Weld											

Other material options available - Contact PBM.

\* Flat faced for Bronze. All others are raised face.

Other operator options available - Contact PBM.

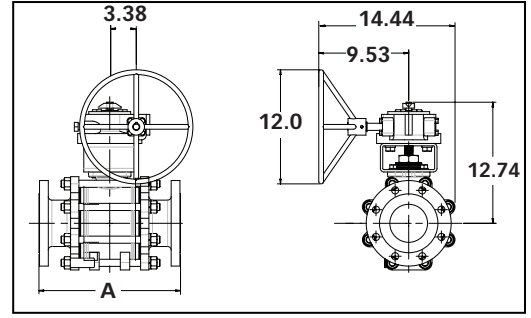
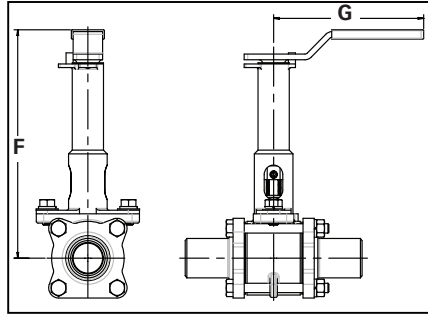
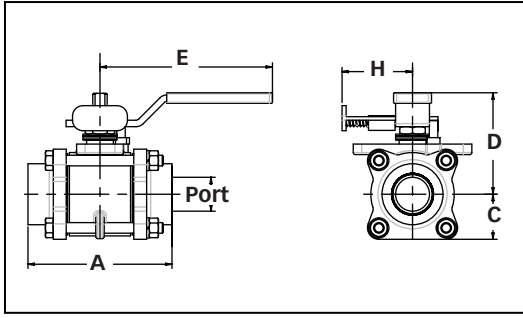
<http://pbmvalve.com/build-a-part-number>

# PBM Industrial 2-Way Steam Valve, Manual

2-Way Valve with Locking Handle

2-Way Valve with Ext. Locking Handle

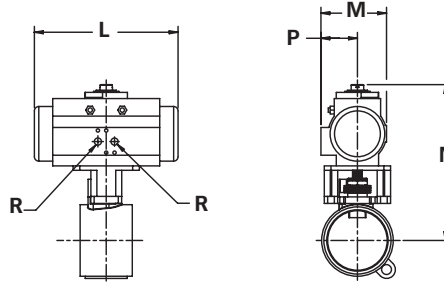
2-Way Valve with Gear Operator (6" only)



Valve Size	Size Code	Port Dia.	A			C Q to Bottom B- D- Q- S- T- U	D Q to Top of Handle	E Handle Length from Q	Ext. Locking Handle		Locking Handle		Approx. Weights	
			Face to Face						F	G	H	Hole Dia. for Lock	B- D- Q- U-	L-
			Q- U- S- T-	B- D-	L-									
1/4", 3/8"	A,B	0.5	3.12	5.5	NA	0.92	2.63	4.15	7.19	5.09	1.62	.25	1.7 lbs.	4.0 lbs.
1/2"	C	0.5	3.12	5.5	5.5	0.92	2.63	4.15	7.19	5.09	1.62	.25	1.7 lbs.	4.0 lbs.
3/4"	D	0.75	3.44	5.5	5.8	1	2.78	4.15	7.34	5.09	1.62	.25	2.0 lbs.	5.2 lbs.
1"	E	1	4.25	5.99	6.5	1.33	3.03	5.09	7.62	5.09	2.08	.28	4.5 lbs.	8.7 lbs.
1-1/2"	G	1.5	5.5	7.5	8	1.78	4.1	8.68	9.45	8.00	2.58	.38	10.2 lbs.	17.4 lbs.
2"	H	2	6	8	9.8	2.15	4.41	8.68	9.76	8.00	2.58	.38	15.4 lbs.	26.5 lbs.
2-1/2"	J	2.5	8	11.5	11.5	2.79	6.45	12.44	11.36	12.06	3.47	.38	36.0 lbs.	53.5 lbs.
3"	K	3	9	13.5	12.8	3.14	6.78	12.44	11.69	12.06	3.47	.38	48 lbs.	68 lbs.
4"	L	4	12	16	15	4.91	7.34	24.4	13.97	24.06	NA	.44	109 lbs.	157 lbs.
6"*	M	6	NA	22	20	7.25	NA	NA	NA	NA	NA	NA	320 lbs.*	357 lbs.*

\*Weight with gear operator.

Unit of Measure = inches  
Dimensions based on actuators used with TFM™ seats.



Size	80 PSI Double Acting					60 PSI Double Acting					80 PSI Spring Return					60 PSI Spring Return				
	L	M	N	P	R	L	M	N	P	R	L	M	N	P	R	L	M	N	P	R
1/2"	5.55	2.8	5.84	1.61	1/8	5.55	2.8	5.84	1.61	1/8	5.55	2.8	5.84	1.61	1/8	6.46	3.17	6.29	1.77	1/8
3/4"	5.55	2.8	5.99	1.61	1/8	5.55	2.8	5.99	1.61	1/8	6.46	3.17	6.44	1.77	1/8	6.46	3.17	6.44	1.77	1/8
1"	5.55	2.8	6.64	1.61	1/8	5.55	2.8	6.64	1.61	1/8	8.27	3.72	7.8	2.07	1/8	8.27	3.72	7.80	2.07	1/8
1-1/2"	6.46	3.17	8.39	1.77	1/8	8.27	3.72	9.1	2.07	1/8	10.83	4.84	10.15	2.68	1/4	10.83	4.84	10.15	2.68	1/4
2"	8.27	3.72	9.41	2.07	1/8	8.27	3.72	9.41	2.07	1/8	10.83	4.84	10.46	2.68	1/4	13.11	5.39	11.82	2.87	1/4
2-1/2"	13.11	5.39	13.48	2.87	1/4	13.11	5.39	13.48	2.87	1/4	13.11	5.39	13.48	2.87	1/4	14.65	5.83	13.96	3.15	1/4
3"	13.11	5.39	13.81	2.87	1/4	13.11	5.39	13.81	2.87	1/4	14.65	5.83	14.29	3.15	1/4	17.15	6.46	15.18	3.44	1/4
4"	17.15	6.46	17.34	3.44	1/4	17.15	6.46	17.34	3.44	1/4	19.69	7.36	18.28	3.94	1/4	19.69	7.36	18.28	3.94	1/4
6"	22.78	8.58	24.13	4.29	1/4	22.78	8.58	24.13	4.29	1/4	22.78	8.58	24.13	4.29	1/4	26.46	11.42	28.89	5.71	1/4



<http://www.pbmvalve.com/valves/2-way-ball-valve-industrial>

<http://pbmvalve.com/maintenance-instructions>

[www.PBMValve.com](http://www.PBMValve.com)

PBM, Inc. • 1070 Sandy Hill Road, Irwin, PA 15642

Phone: 800.967.4PBM • 724.863.0550

E-mail: [info@pbmvalve.com](mailto:info@pbmvalve.com)

© Copyright 2018 PBM, Inc. PB-SD5

