

PBM TWO-WAY TANK BOTTOM VALVES

Tank Bottom Series 5, 1/2" - 6"



DESIGN FEATURES:

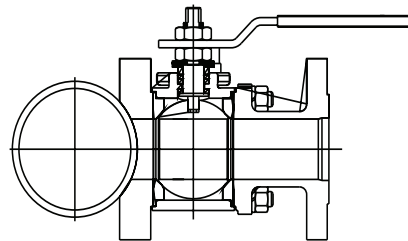
- Unique Adjust-O-Seal® feature allows in-line valve adjustment to compensate for normal wear on valve seats.
- Pad radius facilitates efficient drainage and reduces the pocket area above the ball.
- Upstream and downstream bubble-tight sealing capability allows valve body cleaning, purging, and draining.
- Stem assembly accommodates PBM Direct Mount Actuation for accurate alignment and increased cycling life.
- Available in Angle Stem versions for applications where automation may interfere with tank head or jacket.
- Valves are rated for full vacuum
- Standard bottom-entry stem provides protection from inadvertent stem removal. Engagement between the slot and ball is specially designed for high torque applications.



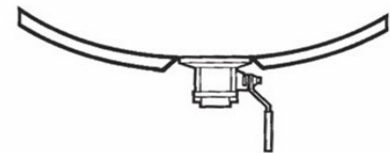
SPECIFICATIONS	2-Way Tank Bottom Valves
Sizes	1/2" - 6" depending on series
Material	316L, Hastelloy™, Carbon Steel, Bronze Alloy 922, others
Temperatures	Ambient for TFM™ to 400° F, S-TEF® to 450°F
End Connections	Buttweld, Flange, NPT, Socket Weld, others
Seats & Seals	White TFM™ standard, others available
Stem Packing Material	TFM™ and S-TEF®
Body Bolts & Nuts	18-8 Stainless Steel
Maximum Working Pressure	up to 720 psig (49.6 bar) depending on valve series, size and temperatures
Temperatures	up to 450°F (232.2°C), depending on seat and seal material

CV Values (gpm), FT Series 5	
Size	End Connection
1/2"	14
3/4"	42
1"	70
1-1/2"	190
2"	370
3"	900
4"	1,650
6"	3,900

Custom pads for special applications



Cylindrical radius pads or reduced pocket cylindrical radius pads accommodate customer-specified or existing valve products.



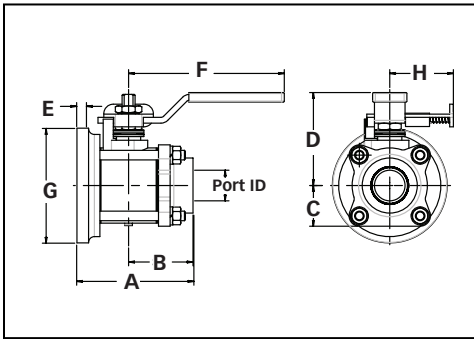
Spherical radius pads or reduced pocket spherical radius pads facilitate efficient drainage and reduces the pocket area above the ball.

How To Order:

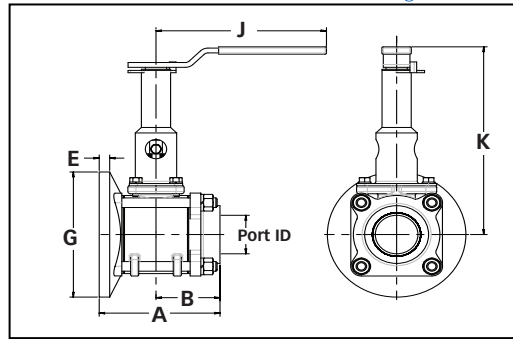
PRODUCT (1-2)		SIZE (5)		END CONN.	SEAT & SEAL	Weld Pad	BALL & STEM	OPERATOR	POLISH									
MATERIAL (3-4)		SERIES (6)		(7-8)	(9)	(10-11)	(12)	(13-14)	(15-16)									
FT	H-	Cast 316/316L S / S	C	1/2"	5	B-	Sch. 40 Butt Weld	G	TFM Seats / Seals	--	Standard Weld Pad	-	Standard Ball and Stem	--	W/ Standard Lever Handle	-	125 Ra ID Standard	
	HL	Cast 316L S / S	D	3/4"		D-	Sch. 10 Butt Weld	J	TFM Seats / Seals VTFE Cavity Fillers	02	w/o weld pad w/ shipping pad	F	Internal / External Grounding	02	W/O Handle W/ Stem Actuator Prep	A	20 Ra ID	
	C-	Hastelloy C-276	E	1"		L-	150# Flange	H	S-TEF® Seats / Seals		Other Weld Pad Options available - Contact PBM	G	17-4PH Stem	04	Locking Lever Handle	C	20 Ra ID / 32 Ra OD	
	Y-	Hastelloy C-22	H	2"		M-	300# Flange	I	S-TEF® Seats / Seals VTFE Cavity Fillers			08	Gear Operator (Req'd for 6")		18	Extended Handle (1/2" thru 4")	F	20 Ra ID after Electro Polish
	P-	AL6XN	L	4"		Q-	Female NPT					20	DA 80psig actuator		27	DA 60psig actuator		More polish available - Contact PBM
		Other material options available - Contact PBM.	M	6"		U-	Socket Weld	K	UHMWPE Seats / Seals			34	SR 80psig actuator		41	SR 60psig actuator		
								L	UHMWPE Seats / Seals VTFE Cavity Fillers									

PBM Flush Tank Series 5 Manual

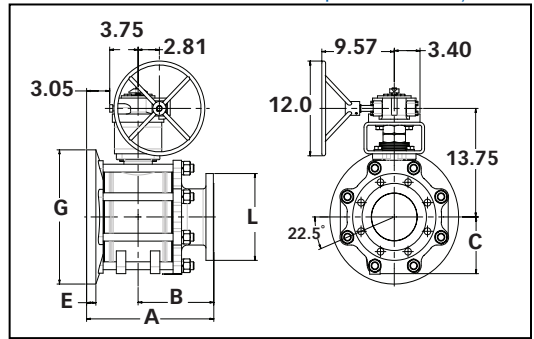
Flush Tank Valve with Locking Handle



Flush Tank Valve with Ext. Locking Handle



Flush Tank Valve with Gear Operator (6" only)



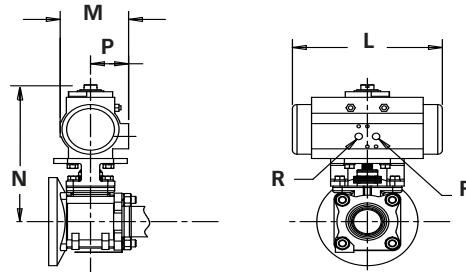
Industrial Flush Tank Dimensioned Valves in inches

Valve Size	Size Code	I.D. Port	A		B		Q to Bottom	Q to Top	Pad Thick.	Length from Q	Pad Dia.	End Fitting	Locking Handle		Ext Lock Handle		Approx Weight	
			Q-	L-	Q-	L-	C	D					E	F	G	L	Q-	Hole Dia.
1/2"	C	0.5	2.83	4.02	1.56	2.75	0.98	2.63	0.28	4.15	2.75	3.50	2.75	.25	7.19	5.09	2 lbs.	3 lbs.
3/4"	D	0.75	3.07	4.23	1.72	2.88	1	2.78	0.31	4.15	3	3.88	3	.25	7.19	5.09	2.5 lbs.	4 lbs.
1"	E	1.0	3.84	4.96	2.13	3.25	1.33	3.1	0.32	5.09	3.75	4.25	3.75	.28	7.34	5.09	5 lbs.	7 lbs.
1-1/2"	G	1.5	5.07	6.32	2.75	4.00	1.78	4.41	0.46	8.68	5.5	5.00	5.5	.38	7.62	5.09	13 lbs.	16 lbs.
2"	H	2.0	5.66	7.54	3.00	4.88	2.2	4.7	0.49	8.68	6.5	6.00	6.5	.38	9.76	8.00	19 lbs.	25 lbs.
3"	K	3.0	8.38	10.26	4.50	6.38	3.1	6.78	0.77	12.44	9	7.50	9	.38	11.69	12.06	57 lbs.	68 lbs.
4"	L	4.0	10.81	12.31	6.00	7.50	4.9	7.34	0.9	24.44	11.5	9.00	11.5	.44	13.97	24.06	120 lbs.	133 lbs.
6"	M	6.0	NA	16.80	NA	10.00	7.2	Note 2	1.23	CF	17	11.00	17	NA	NA	NA	CF	CF

*Weight with gear operator.

ACTUATED DIMENSIONS

Unit of Measure = inches
Dimensions based on actuators used with TFM™ seats.



Size	80 PSI Spring Return					60 PSI Spring Return					80 PSI Double Acting					60 PSI Double Acting				
	L	M	N	P	R	L	M	N	P	R	L	M	N	P	R	L	M	N	P	R
1/2"	5.55	2.8	5.84	1.61	1/8 NPT	6.46	3.17	6.29	1.77	1/8 NPT	5.55	2.8	5.84	1.61	1/8 NPT	5.55	2.8	5.84	1.61	1/8 NPT
3/4"	6.46	3.17	6.44	1.77	1/8 NPT	6.46	3.17	6.44	1.77	1/8 NPT	5.55	2.8	5.99	1.61	1/8 NPT	5.55	2.8	5.99	1.61	1/8 NPT
1"	8.27	3.72	7.8	2.07	1/8 NPT	8.27	3.72	7.8	2.07	1/8 NPT	5.55	2.8	6.64	1.61	1/8 NPT	5.55	2.8	6.64	1.61	1/8 NPT
1-1/2"	10.83	4.84	10.15	2.68	1/4 NPT	10.83	4.84	10.15	2.68	1/4 NPT	6.46	3.17	8.39	1.77	1/8 NPT	8.27	3.72	9.1	2.07	1/8 NPT
2"	10.83	4.84	10.46	2.68	1/4 NPT	13.11	5.39	11.82	2.87	1/4 NPT	8.27	3.72	9.41	2.07	1/8 NPT	8.27	3.72	9.41	2.07	1/8 NPT
3"	14.65	5.83	14.29	3.15	1/4 NPT	17.15	6.46	15.18	3.44	1/4 NPT	13.11	5.39	13.81	2.87	1/4 NPT	13.11	5.39	13.81	2.87	1/4 NPT
4"	19.69	7.36	18.28	3.94	1/4 NPT	19.69	7.36	18.28	3.94	1/4 NPT	17.15	6.46	17.34	3.44	1/4 NPT	17.15	6.46	17.34	3.44	1/4 NPT
6"	22.78	8.58	24.13	4.29	1/4 NPT	26.46	11.42	28.89	5.71	1/4 NPT	22.78	8.58	24.13	4.29	1/4 NPT	22.78	8.58	24.13	4.29	1/4 NPT



<http://www.pbmvalve.com/valves/tank-bottom-valve-0>

<http://pbmvalve.com/maintenance-instructions>

www.PBMValve.com

PBM, Inc. • 1070 Sandy Hill Road, Irwin, PA 15642

Phone: 800.967.4PBM • 724.863.0550

E-mail: info@pbmvalve.com

© Copyright 2018 PBM, Inc. PB-FT5

