

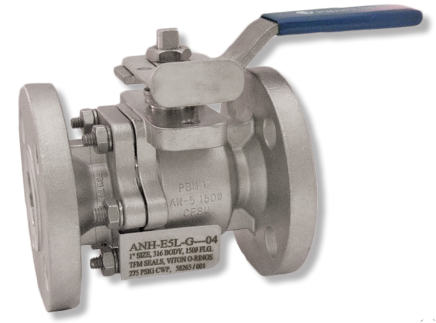
PBM INDUSTRIAL ANSI BALL VALVES

AN Series 5, 1/2" - 6"



DESIGN FEATURES:

- Valves are full vacuum.
- Unique Adjust-O-Seal® feature allows in-line valve adjustment to compensate for normal wear on valve seats. Note: valves have o-rings.
- Valve are a two-piece "split body" design.
- Upstream and downstream bubble-tight sealing capability allows valve body cleaning, purging, and draining.
- Stem assembly accommodates PBM Direct Mount Actuation for accurate alignment and increased cycling life.
- Fire Rated option available
- Optional Purge port and milled ball flats drain holes allow inline CIP to prevent clogging and plug formation.
- Self flushing ball and v-ball options available



SPECIFICATIONS	2-Way Valves
Sizes	1/2" - 6" Series 5
Material	316/316L, Hastelloy™ C-276, Carbon Steel, others
Temperatures	20°F to 450°F depending on seat and seal material
End Connections	150# & 300# RF Flange
Seats & Seals	White TFM™ standard, others available
Stem Packing Material	TFM™ and S-TEF®
Body Bolts & Nuts	B16.34 bolting
Maximum Working Pressure	up to 740 psig CWP depending on valve series, size and temperature

CV Values (gpm)			
Size	Cv (gpm)	Weight 150 # Class	Weight 300 # Class
1/2"	13	3.5 lbs.	4.8 lbs.
3/4"	52	6.8 lbs.	7.3 lbs.
1"	80	8 lbs.	11 lbs.
1-1/2"	190	16 lbs.	23 lbs.
2"	400	25 lbs.	30 lbs.
3"	1,100	50 lbs.	71 lbs.
4"	2,400	96 lbs.	130 lbs.
6"*	5,600	242 lbs.	326 lbs.

*Valve approximate weight without handle

How To Order:

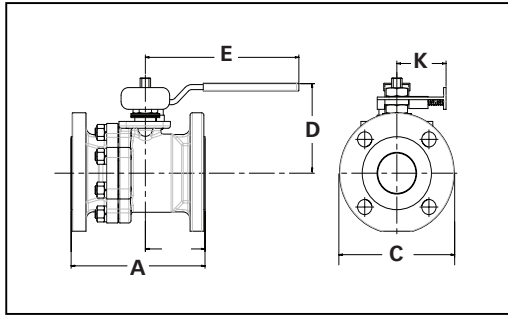
PRODUCT (1-2) MATERIAL (3-4)		SIZE (5) SERIES (6)			ENDS (7-8)		SEAT & SEAL (9)		PURGES (10-11)		BALL & STEM (12)		OPERATOR (13-14)		POLISH (15-16)
AN	H - Cast 316/316L S/S	C	1/2"	5	L - 150# RF Flange	G	TFM Seats / Seals Viton O-Ring	--	No Purge Port or Ball Option	-	Standard Ball and Stem	--	W/ Standard Lever Handle	-	125 Ra ID Standard
	C - Hastelloy C-276	D	3/4"		M - 300# RF Flange	J	TFM Seats / Seals / VTFE Cav Fill / Viton O-Ring	- 8	Self Flushing Ball	F	Internal / External Grounding	02	W/O Handle W/ Stem Actuator Prep	A	20 Ra ID
	Y - Hastelloy C-22	E	1"			Z	TFM Seats / Seals EPR O-Ring	- V	Slotted V-Ball	G	17-4PH Stem	04	Locking Lever Handle	C	20 Ra ID / 32 Ra OD
	P - AL6XN	H	2"			2	TFM Seats / Seals / VTFE Cav Fill / EPR O-Ring	- X	45° V-Ball			18	Extended Handle (1/2" thru 4")	F	20 Ra ID after Electro Polish
	Other material options available - Contact PBM.	K	3"			H	S-TEF® Seats / Seals Viton O-Ring	- Y	60° V-Ball			20	DA 80psig actuator		
		L	4"						Other Purge Port & Ball Options - Contact PBM			27	DA 60psig actuator		More polish available - Contact PBM
		M	6"			0	S-TEF® Seats / Seals EPR O-Ring					34	SR 80psig actuator		
												41	SR 60psig actuator		
													Other operator options available - Contact PBM		

Other seat/seal options available - Contact PBM

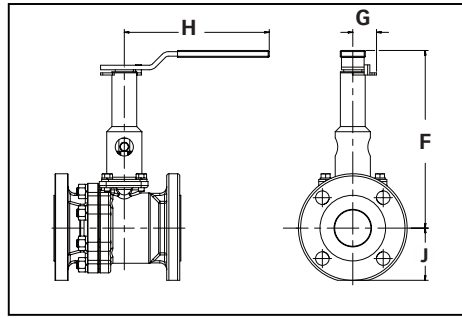
<http://pbmvalve.com/build-a-part-number>

PBM Industrial ANSI Ball Valves Manual

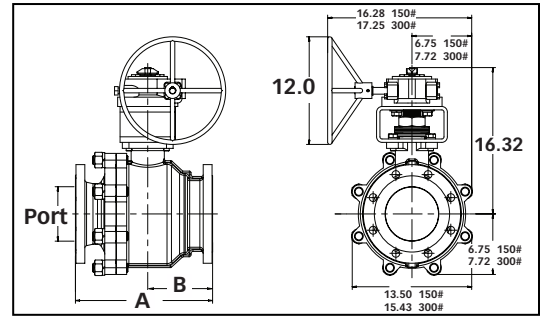
ANSI Valve with Locking Handle



ANSI Valve with Ext. Locking Handle

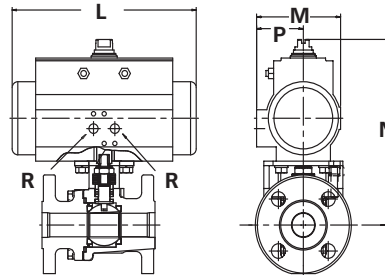


ANSI Valve with Gear Operator (6" only)



Valve Size	Size Code	Port Dia.	A		B		C		D	E	J		Ext. Locking Handle			Locking Handle			
			Overall Length		Q to End		Flange Diameter				Q to Top of Handle	Handle Length from Q	Q to Bottom		F	G	H	K	Hole Dia. for Lock
			150#	300#	150#	300#	150#	300#					150#	300#					
1/2"	C	0.5	4.25	5.50	1.85	2.52	3.50	3.75	2.66	4.15	1.62	1.75	7.19	1.00	5.09	1.62	.25		
3/4"	D	0.75	4.62	6.00	2.12	2.90	3.88	4.62	2.78	4.15	1.80	2.15	7.34	1.00	5.09	1.62	.25		
1"	E	1.00	5.00	6.50	2.25	3.15	4.25	4.88	3.09	5.06	2.06	2.38	7.63	1.00	5.09	2.08	.28		
1-1/2"	G	1.50	6.50	7.50	2.68	3.18	5.00	6.12	4.16	8.03	2.38	3.00	9.50	1.31	8.00	2.58	.38		
2"	H	2.00	7.00	8.50	3.12	3.84	6.00	6.50	4.46	8.03	2.88	3.12	9.81	1.31	8.00	2.58	.38		
3"	K	3.00	8.00	11.12	3.57	5.19	7.50	8.25	7.00	12.06	3.50	4.00	11.69	1.50	12.06	3.47	.38		
4"	L	4.00	9.00	12.00	3.84	5.34	9.00	10.00	7.39	24.06	4.38	4.75	13.03	3.50	24.06	NA	NA		
6"*	M	6.07	15.50	15.88	7.33	7.70	11.00	12.50	NA	NA	NA	NA	NA	NA	NA	NA	NA		

Unit of Measure = inches
Dimensions based on actuators used with TFM™ seats.



Size	80 PSI Double Acting					60 PSI Double Acting					80 PSI Spring Return Q to Bottom					60 PSI Spring Return				
	L	M	N	P	R	L	M	N	P	R	L	M	N	P	R	L	M	N	P	R
1/2"	5.50	2.79	5.84	1.61	1/8	5.50	2.79	5.84	1.61	1/8	5.50	2.79	5.84	1.61	1/8	5.50	2.79	5.84	1.61	1/8
3/4"	6.38	3.17	6.44	1.77	1/8	6.38	3.17	6.44	1.77	1/8	6.38	3.17	6.44	1.77	1/8	6.38	3.17	6.44	1.77	1/8
1"	5.55	2.8	6.71	1.61	1/8	5.55	2.8	6.71	1.61	1/8	8.27	3.72	7.87	2.07	1/8	8.27	3.72	7.87	2.07	1/8
1-1/2"	6.46	3.17	8.44	1.77	1/8	8.27	3.72	9.15	2.07	1/8	10.83	4.84	10.2	2.68	1/4	10.83	4.84	10.2	2.68	1/4
2"	8.27	3.72	9.46	2.07	1/8	8.27	3.72	9.46	2.07	1/8	10.83	4.84	10.51	2.68	1/4	13.11	5.39	11.87	2.87	1/4
3"	13.11	5.39	13.81	2.87	1/4	13.11	5.39	13.81	2.87	1/4	14.65	5.83	14.29	3.15	1/4	17.13	6.46	15.18	3.44	1/4
4"	17.13	6.46	17.34	3.44	1/4	17.13	6.46	17.34	3.44	1/4	19.69	7.36	18.28	3.94	1/4	22.78	7.36	20.53	3.94	1/4
6"	22.78	8.58	24.11	4.29	1/4	22.78	8.58	24.11	4.29	1/4	22.78	8.58	24.11	4.29	1/4	26.46	11.42	28.87	5.71	1/4



<http://www.pbmvalve.com/valves/ansi-ball-valve>

<http://pbmvalve.com/maintenance-instructions>

www.PBMValve.com

PBM, Inc. • 1070 Sandy Hill Road, Irwin, PA 15642

Phone: 800.967.4PBM • 724.863.0550

E-mail: info@pbmvalve.com

© Copyright 2017 PBM, Inc. PB-AN5

