

PBM FIRE RATED ANSI BALL VALVES

AN Series 6, 1/2" - 6"



DESIGN FEATURES:

- Fire Rated, tested to API-607
- Valves are rated for full vacuum.
- Valves are non-Adjust-O-Seal®
- Valves are a two-piece "split body" design.
- Upstream and downstream bubble-tight sealing capability allows valve body cleaning, purging, and draining.
- Stem assembly accommodates PBM Direct Mount Actuation for accurate alignment and increased cycling life.
- Valves meet B16.34 in appropriate materials and ends
- Optional Purge port and milled ball flats drain holes allow inline CIP to prevent clogging and plug formation.



SPECIFICATIONS	Industrial Fire Rated ANSI Valves
Sizes	1/2" - 6" Series 6
Material	316L, (ASTM A351 CF3M), Hastelloy® C276 and other ASME B16.34 materials
Temperatures	20°F to 450°F depending on seat and seal material
End Connections	150# & 300# RF Flange
Seats & Seals	White TFM™ standard, others available
Stem Packing Material	TFM™ and S-TEF®
Body Bolts & Nuts	B16.34 bolting
Maximum Working Pressure	up to 740 psig CWP depending on valve series, size and temperature

CV Values (gpm)			
Size	Cv (gpm)	Weight 150 # Class	Weight 300 # Class
1/2"	13	3.5 lbs.	4.8 lbs.
3/4"	52	6.8 lbs.	7.3 lbs.
1"	80	8 lbs.	11 lbs.
1-1/2"	190	16 lbs.	23 lbs.
2"	400	25 lbs.	30 lbs.
3"	1,100	50 lbs.	71 lbs.

*Valve approximate weight without handle

How To Order:

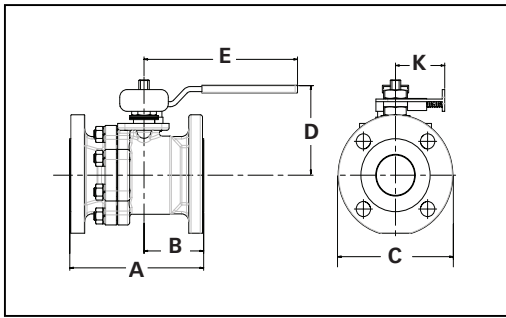
PRODUCT (1-2)		MATERIAL (3-4)		SIZE (5)		SERIES (6)		ENDS (7-8)		SEAT & SEAL (9)		Purge Ports (10-11)		BALL & STEM (12)		OPERATOR (13-14)		POLISH (15-16)	
AN	H-	Cast 316/316L S / S	C	1/2"	6	L-	150# RF Flange	G	TFM Seats / Graphite Seals / Viton O-Ring	--	No Purge Port or Ball Option	-	Standard Ball and Stem	--	W/ Standard Lever Handle	-	125 Ra ID Standard		
	C-	Hastelloy C-276	D	3/4"		M-	300# RF Flange	J	TFM Seats / Graphite Seals / VTFE Cav Fill / Viton O-Ring	-8	Self Flushing Ball	G	17-4PH Stem	02	W/O Handle / W/ Stem Actuator Prep	A	20 Ra ID		
	Y-	Hastelloy C-22	E	1"				Z	TFM Seats / Graphite Seals / EPR O-Ring	-V	Slotted V-Ball			04	Locking Lever Handle	C	20 Ra ID / 32 Ra OD		
			G	1-1/2"						-W	30° V-Ball			08	Gear Operator (Req'd for 6")				
	P-	AL6XN	H	2"				2	TFM Seats / Graphite Seals / VTFE Cav Fill / EPR O-Ring	-X	45° V-Ball			18	Extended Handle (1/2" thru 4")	F	20 Ra ID after Electro Polish		
		Other material options available - Contact PBM.	K	3"				H	S-TEF® Seats / Graphite Seals / Viton O-Ring	-Y	60° V-Ball			20	DA 80psig actuator				
			L	4"										27	DA 60psig actuator				More polish available - Contact PBM
			M	6"				0	S-TEF® Seats / Graphite Seals / EPR O-Ring					34	SR 80psig actuator				
														41	SR 60psig actuator				

Other seat/seal options available - Contact PBM

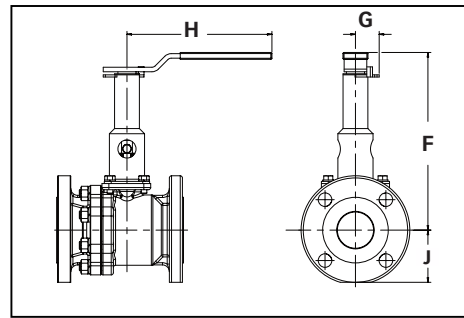
Other operator options available - Contact PBM

PBM Fire Rated ANSI Ball Valves Manual

ANSI Valve with Locking Handle



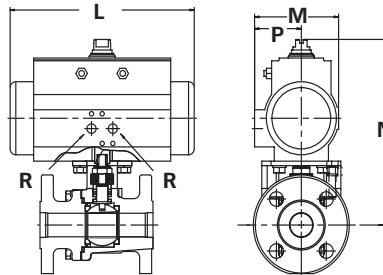
ANSI Valve with Ext. Locking Handle



Valve Size	Size Code	Port Dia.	A		B		C		D	E	J		Ext. Locking Handle			Locking Handle			
			Overall Length		\varnothing to End		Flange Diameter				\varnothing to Top of Handle	Handle Length from \varnothing	\varnothing to Bottom		F	G	H	K	Hole Dia. for Lock
			150#	300#	150#	300#	150#	300#					150#	300#					
1/2"	C	0.5	4.25	5.50	1.85	2.52	3.50	3.75	2.66	4.15	1.62	1.75	7.19	1.00	5.09	1.62	.25		
3/4"	D	0.75	4.62	6.00	2.12	2.90	3.88	4.62	2.78	4.15	1.80	2.15	7.34	1.00	5.09	1.62	.25		
1"	E	1.00	5.00	6.50	2.25	3.15	4.25	4.88	3.09	5.06	2.06	2.38	7.63	1.00	5.09	2.08	.28		
1-1/2"	G	1.50	6.50	7.50	2.68	3.18	5.00	6.12	4.16	8.03	2.38	3.00	9.50	1.31	8.00	2.58	.38		
2"	H	2.00	7.00	8.50	3.12	3.84	6.00	6.50	4.46	8.03	2.88	3.12	9.81	1.31	8.00	2.58	.38		
3"	K	3.00	8.00	11.12	3.57	5.19	7.50	8.25	7.00	12.06	3.50	4.00	11.69	1.50	12.06	3.47	.38		

ACTUATED DIMENSIONS

Unit of Measure = inches
Dimensions based on actuators used with TFM™ seats.



80 PSI Double Acting						60 PSI Double Acting					80 PSI Spring Return \varnothing to Bottom					60 PSI Spring Return				
Size	L	M	N	P	R	L	M	N	P	R	L	M	N	P	R	L	M	N	P	R
1/2"	5.50	2.79	5.84	1.61	1/8	5.50	2.79	5.84	1.61	1/8	5.50	2.79	5.84	1.61	1/8	5.50	2.79	5.84	1.61	1/8
3/4"	6.38	3.17	6.44	1.77	1/8	6.38	3.17	6.44	1.77	1/8	6.38	3.17	6.44	1.77	1/8	6.38	3.17	6.44	1.77	1/8
1"	5.55	2.8	6.71	1.61	1/8	5.55	2.8	6.71	1.61	1/8	8.27	3.72	7.87	2.07	1/8	8.27	3.72	7.87	2.07	1/8
1-1/2"	6.46	3.17	8.44	1.77	1/8	8.27	3.72	9.15	2.07	1/8	10.83	4.84	10.2	2.68	1/4	10.83	4.84	10.2	2.68	1/4
2"	8.27	3.72	9.46	2.07	1/8	8.27	3.72	9.46	2.07	1/8	10.83	4.84	10.51	2.68	1/4	13.11	5.39	11.87	2.87	1/4
3"	13.11	5.39	13.81	2.87	1/4	13.11	5.39	13.81	2.87	1/4	14.65	5.83	14.29	3.15	1/4	17.13	6.46	15.18	3.44	1/4



<http://www.pbmvalve.com/valves/ansi-ball-valve>

<http://pbmvalve.com/maintenance-instructions>

www.PBMValve.com

PBM, Inc. • 1070 Sandy Hill Road, Irwin, PA 15642

Phone: 800.967.4PBM • 724.863.0550

E-mail: info@pbmvalve.com

