

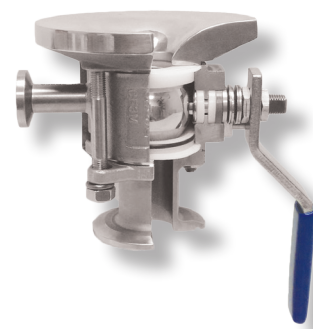
PBM IGENIX® TWO-WAY BALL VALVES

Tank Bottom Series 9/Forged Series 8, 1/2" - 6"



DESIGN FEATURES:

- Unique Adjust-O-Seal® feature allows in-line valve adjustment to compensate for normal wear on valve seats.
- Pad radius facilitates efficient drainage and reduces the pocket area above the ball.
- Upstream and downstream bubble-tight sealing capability allows valve body cleaning, purging, and draining.
- Stem assembly accommodates PBM Direct Mount Actuation for accurate alignment and increased cycling life.
- Forged and cast valves are low-controlled ferrite.
- True-Bore® (valve bore same as connecting tubing) – no puddling
- ASME BPE compliant
- Available in Angle Stem versions for applications where automation may interfere with tank head or jacket.
- Valves are full vacuum
- Certified Material Test Report (CMTRS) provided for wetted components
- Surface finishes are achieved without the use of ADIs (Animal Derived Ingredients)



SPECIFICATIONS	2-Way Valves
Sizes	1/2" - 6" Series 9, 1/2" - 4" Series 8
Material	316L, low ferrite cast and forged, Hastelloy™, AL6XN™, others
Temperatures	Ambient for TFM™ to 400° F, S-TEF® to 450°F
End Connections	Extended tube, hygienic clamp, compression ends (1/2" - 1")
Seats & Seals	White TFM™ standard, others available
Stem Packing Material	TFM™ and S-TEF®
Body Bolts & Nuts	18-8 Stainless Steel
Maximum Working Pressure	up to 600 psig CWP depending on valve series, size and temperature
Temperatures	up to 450°F depending on seat and seal material
Polish	Standard internal polish of 20 Ra ID Series 8, 30 Ra ID Series 9

CV Values (gpm), FI Series 8/Series 9	
Size	End Connection
	X-
1/2"	8.9
3/4"	34
1"	62
1-1/2"	175
2"	480
2-1/2"	870
3"	1,550
4"	3,750
6"	5,000

ID Surface Finish, Ra Readings for Valves per ASME BPE			
Surface Finish	PBM Polish Code	μ-in.	μ-m.
Mechanical Polish			
SF 1	A	20 Ra max	0.51
SF 2	A	25 Ra max	0.64
SF 3	-	30 Ra max	0.76
Mechanical Polish and Electropolish			
SF 4	G	15 Ra max	0.38
SF 5	F	20 Ra max	0.51
SF 6	F	25 Ra max	0.64

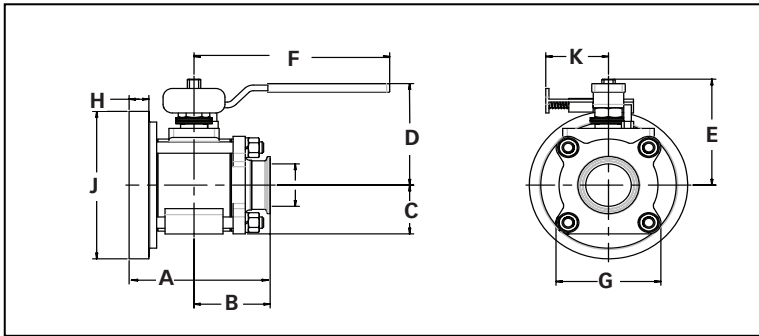
How To Order:

PRODUCT (1-2) MATERIAL (3-4)		SIZE (5) SERIES (6)		END CONNECTIONS (7-8)		SEAT & SEAL (9)		PURGES (10-11)		BALL & STEM (12)		OPERATOR (13-14)		POLISH (15-16)			
FI	HL	Cast (Ser. 9) 316L S / S	C	1/2"	8	F -	Ext. Butt weld for Tube	G	TFM Seats / Seals	--	Standard Weld Pad	-	Standard Ball and Stem	--	W/ Standard Lever Handle	-	30 Ra ID (Std. Series 9)
	HF	Forged 316L S / S	D	3/4"	9	X-	Hygienic Clamp	J	TFM Seats / Seals VTFE Cavity Fillers	02	w/o weld pad w/ shipping pad	F	Internal / External Grounding	02	W/O Handle W/ Stem Actuator Prep	A	20 Ra ID (Std. Series 8)
		Other material options available - Contact PBM.		E	1"	G-	Female Cherry Burrell	H	S-TEF® Seats / Seals	Other Weld Pad Options available - Contact PBM		G	17-4PH Stem	04	Locking Lever Handle	D	15 Ra ID
				G	1-1/2"	H-	Male Cherry Burrell	I	S-TEF® Seats / Seals VTFE Cavity Fillers					08	Gear Operator (Req'd for 6")	E	10 Ra ID
				H	2"			K	UHMWPE Seats / Seals					18	Extended Handle (2-1/2" thru 4")	F	20 Ra ID after Electro Polish
				K	3"			L	UHMWPE Seats / Seals VTFE Cavity Fillers					71	Extended Handle (1/2" thru 2")	G	15 Ra ID after Electro Polish
				L	4"									20	DA 80psig actuator		
				M*	6"	* Not available in forged.								27	DA 60psig actuator		
														34	SR 80psig actuator	H	10 Ra ID after Electro Polish
														41	SR 60psig actuator		
														Other operator options available - Contact PBM		More polish available - Contact PBM	

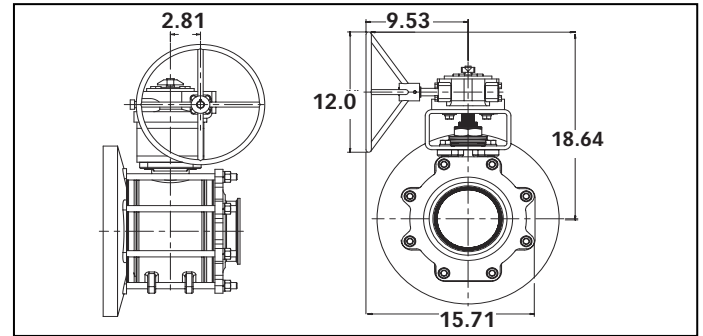
<http://pbmvalve.com/build-a-part-number>

PBM Igenix® Flush Tank Series 9/Forged Series 8 Manual

Flush Tank Valve with Locking Handle



Flush Tank Valve with Gear Operator (6" only)

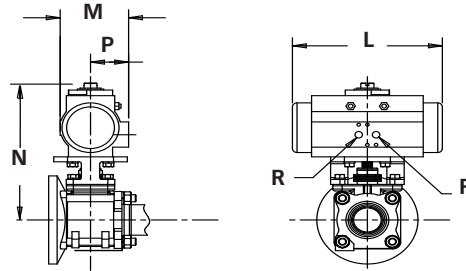


Flush Tank Sanitary Dimensioned valves in inches													Locking Handle	
Valve Size	Size Code	I.D. Port	A	B	C	D	E	F	G	H	J	Approx. Wgt (lbs)	K	Hole Dia. for Lock
1/2"	C	0.37	2.83	1.75	1.70	0.75	2.05	4.00	1.50	0.30	2.75	1.6	1.55	.28
3/4"	D	0.62	3.16	2.00	1.86	0.85	2.23	4.00	1.68	0.30	3.00	2	1.55	.28
1"	E	0.87	3.70	2.25	2.38	1.09	3.01	4.15	2.18	0.68	3.75	3.6	1.62	.25
1-1/2"	G	1.37	4.98	2.75	3.89	1.68	5.07	8.81	3.31	0.31	5.50	12	2.57	.38
2"	H	1.87	5.79	3.12	4.67	2.15	4.51	8.03	4.30	0.49	6.50	22	2.57	.38
3"	K	2.87	7.52	4.00	6.76	2.77	6.76	12.06	5.54	0.85	9.00	33	3.47	.38
4"	L	3.84	9.59	5.00	7.53	3.66	7.53	12.06	7.33	1.18	11.50	94	3.47	.38
6"*	M	5.78	12.78	6.50	12.14	6.18	NA	NA	12.36	1.34	17.00	164	NA	NA

*Cast Series 9 Only

ACTUATED DIMENSIONS

Unit of Measure = inches
Dimensions based on actuators used with TFM™ seats.



Size	80 PSI Spring Return					60 PSI Spring Return					60, 80 PSI Double Acting				
	L	M	N	P	R	L	M	N	P	R	L	M	N	P	R
1/2"	5.55	2.80	5.45	1.61	1/8 NPT	5.55	3.17	5.90	1.77	1/8 NPT	5.55	2.80	5.45	1.61	1/8 NPT
3/4"	5.55	2.80	5.59	1.61	1/8 NPT	6.46	3.17	6.04	1.77	1/8 NPT	5.55	2.80	5.59	1.61	1/8 NPT
1"	6.46	3.17	6.51	1.77	1/8 NPT	8.27	3.72	7.22	2.07	1/8 NPT	5.55	2.80	6.06	1.61	1/8 NPT
1-1/2"	9.47	4.17	9.65	2.30	1/8 NPT	10.83	4.84	9.65	2.68	1/4 NPT	8.27	3.72	9.10	2.07	1/8 NPT
2"	10.83	4.84	10.45	2.68	1/4 NPT	13.11	5.39	11.80	2.87	1/4 NPT	8.27	3.72	9.39	2.07	1/8 NPT
2-1/2"	13.11	5.39	13.48	2.87	1/4 NPT	14.65	5.83	13.96	3.15	1/4 NPT	13.11	5.39	13.48	2.87	1/4 NPT
3"	14.65	5.83	14.21	3.15	1/4 NPT	17.13	6.46	15.10	3.44	1/4 NPT	13.11	5.39	13.73	2.87	1/4 NPT
4"	17.13	6.46	15.86	3.44	1/4 NPT	19.69	7.32	16.80	3.90	1/4 NPT	13.11	5.39	14.51	2.87	1/4 NPT
6"	22.78	8.54	23.02	4.29	1/4 NPT	22.64	11.42	27.78	5.71	1/4 NPT	22.78	8.54	23.02	4.29	1/4 NPT



<http://www.pbmvalve.com/valves/tank-bottom-valve>

<http://pbmvalve.com/maintenance-instructions>

www.PBMValve.com

PBM, Inc. • 1070 Sandy Hill Road, Irwin, PA 15642

Phone: 800.967.4PBM • 724.863.0550

E-mail: info@pbmvalve.com

© Copyright 2017 PBM, Inc. PB-FI89

