

PBM RADIAL TANK OUTLET VALVES

Sizes 1/2" - 3"



DESIGN FEATURES:

- Smooth sloping design for complete drainage
- 45° and 2° sloped outlet
- Machined by PBM from wrought material
- All internal surfaces 15 Ra or better after electro-polish
- Diaphragm seal easily removed for quick change-out
- Silicone Diaphragm is medical grade platinum cured
- Full material traceability and documentation package
- Optional purge port or Satellite valve mounted on the body opposite outlet is available
- Exceeds performance requirements of ASME-BPE testing
- CRN (Canadian Registration Numbers) available on request.



SPECIFICATIONS	RD VALVE
Sizes	1/2" - 3"
Body and Weld pad	316L Stainless, Hastelloys, Al6XN, others
Maximum Working Pressure	175 psig CWP
Diaphragm/Gasket Materials	Silicone or TFM™/PTFE
Temperatures	Silicone to -60°F to 275°F, TFM 32°F to 400°F

WEIGHTS (lbs.)				
Size	Valve, manual	Valve + actuator	Valve + clamp, manual	Valve + Clamp + actuator
1/2"	3.14	4.46	2.87	4.20
3/4"	3.17	4.32	3.00	4.15
1"	7.10	9.50	6.53	8.90
1-1/2"	8.56	14.20	9.16	14.00
2"	15.90	21.90	15.10	21.00
3"	31.80	62.80	27.70	59.70

CV Values (gpm)	
Size	gal./min.
1/2"	3.30
3/4"	10.30
1"	14.60
1-1/2"	48.10
2"	72.20
3"	167.70

Custom fit Copper chill block fixtures are available to facilitate welding of PBM's Radial Diaphragm tank outlet valve weld pad.



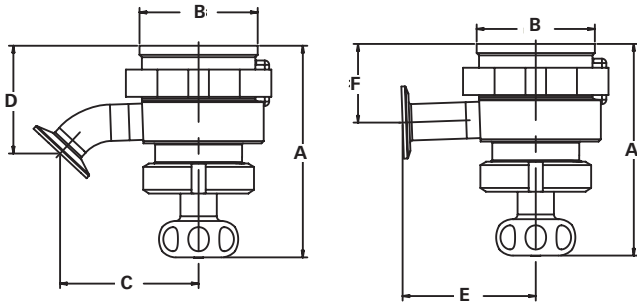
RD	HL	PRODUCT (1-2) MATERIAL (3-4)	SIZE (5) SERIES (6)	OUTLET END CONNECTION (7)	OUTLET ORIENTATION CONNECTION (8)	DIAPHRAGM /GASKET (9)	TANK PAD OPTIONS (10-11)	PURGE PORTS (12)	OPERATOR (13-14)	POLISH (MECH. UNLESS NOTED) (15-16)									
		316L Stainless	C	1/2"	1	F	Extended Butt Weld	1	2° Slope with Straight Outlet	B	Silicone	--	Standard Weld Pad	-	No purge option(s) selected	--	w/Manual Knob	G	15Ra ID / 63Ra OD after EP (Std)
		Hastelloy C-276	D	3/4"	X	X	Hygienic Clamp	2	2° Slope with 45° Outlet	G	TFM/PTFE	LP	Less Weld Pad	A	(1) 1/2" clamp on center opposite outlet	34	SR80 psig actr	H	10Ra ID / 63Ra OD after EP
		Hastelloy C-22	E	1"								CX	1/2" Clamp Inlet	B	(1) 1/2" BWTE on center opposite outlet	35	SR80 psig actr & GP LS	O	15Ra ID / 32Ra OD / EP
		AL6XN	G	1-1/2"								DX	3/4" Clamp Inlet	R	(1) 1/2" Satellite Valve Hygienic Clamp - Manual	38	SR80 psig actr & XP LS	S	10Ra ID / 32Ra OD / EP
		Duplex 2205	H	2"								EX	1" Clamp Inlet						
			K	3"								GX	1-1/2" Clamp Inlet	S	(1) 1/2" Satellite Valve - Ext. Butt Weld - Tube - Manual	36	SR80 psig actr & GP Sol		
												HX	2" Clamp Inlet			37	SR80 psig actr & GP LS & Sol		
												KX	3" Clamp Inlet			39	SR80 psig actr & XP Sol		
																40	SR80 psig actr & XP LS & Sol		
																24	VDC Solenoid & Limit Switch		
																63	SR80 psig actr & GP Sol		
																64	SR80 psig actr & GP LS & Sol		
																65	SR80 psig actr & XP Sol		
																66	SR80 psig actr & XP LS & Sol		

<http://pbmvalve.com/build-a-part-number>

Other purge port / satellite valve options - consult factory

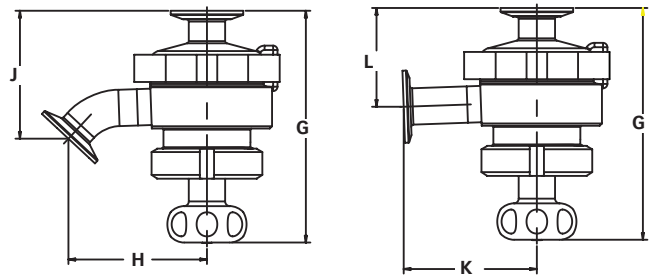
PBM Radial Diaphragm Valve Dimensions

Flush Mounted Radial Diaphragm Valve



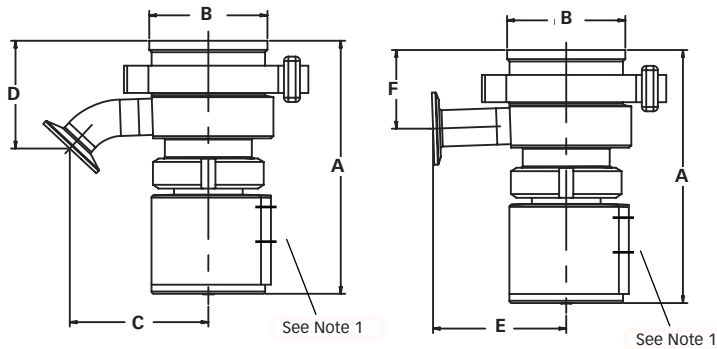
Size	Port	A	B	C	D	E	F
1/2"	0.37	5.11	2.25	3.11	2.69	3.18	1.99
3/4"	0.62	5.07	2.25	3.11	2.50	3.18	1.80
1"	0.87	5.82	3.25	3.81	2.95	3.66	2.15
1-1/2"	1.37	6.36	3.25	4.32	3.44	3.66	2.40
2"	1.87	7.14	4.25	5.34	4.05	4.65	2.79
3"	2.87	9.26	6.25	7.34	5.72	5.59	3.98

Clamp Mounted Radial Diaphragm Valve



Size	Port	G	H	J	K	L
1/2"	0.37	5.70	3.11	3.28	3.18	2.58
3/4"	0.62	5.82	3.11	3.25	3.18	2.55
1"	0.87	6.37	3.81	3.51	3.66	2.61
1-1/2"	1.37	6.91	4.32	3.99	3.66	2.86
2"	1.87	7.69	5.34	4.60	4.65	3.34
3"	2.87	9.39	7.34	5.85	5.59	4.11

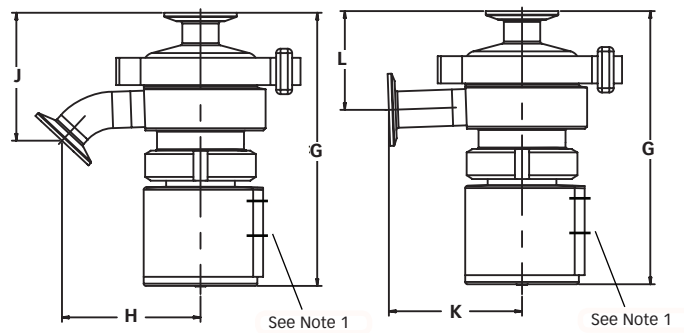
Actuated Flush Mounted Radial Diaphragm Valve



Size	Port	A	B	C	D	E	F
1/2"	0.37	6.12	2.25	3.11	2.69	3.18	1.99
3/4"	0.62	6.08	2.25	3.11	2.50	3.18	1.80
1"	0.87	6.96	3.25	3.81	2.95	3.66	2.15
1-1/2"	1.37	8.24	3.25	4.32	3.44	3.66	2.40
2"	1.87	9.42	4.25	5.34	4.05	4.65	2.79
3"	2.87	13.42	6.25	7.34	5.72	5.59	3.98

Note 1: Air connection on actuator is 1/8" F.N.P.T.

Actuated Clamp Mounted Radial Diaphragm Valve



Size	Port	G	H	J	K	L
1/2"	0.37	6.71	3.11	3.28	3.18	2.58
3/4"	0.62	6.83	3.11	3.25	3.18	2.55
1"	0.87	7.51	3.81	3.51	3.66	2.61
1-1/2"	1.37	8.79	4.32	3.99	3.66	2.86
2"	1.87	9.97	5.34	4.60	4.65	3.34
3"	2.87	13.62	7.34	5.84	5.59	4.11



<http://pbmvalve.com/valves/radial-diaphragm-tank-valve>

<http://pbmvalve.com/maintenance-instructions>



www.PBMValve.com

PBM, Inc. • 1070 Sandy Hill Road, Irwin, PA 15642

Phone: 800.967.4PBM • 724.863.0550 • Fax: 724.864.9255

E-mail: info@pbmvalve.com

