

PBM IGENIX® TWO-WAY BALL VALVES

SI Cast Series 9/Forged Series 8, 1/2" - 6"



DESIGN FEATURES:

- Unique Adjust-O-Seal® feature allows in-line valve adjustment to compensate for normal wear on valve seats. Note: valves DO NOT have o-rings.
- Upstream and downstream bubble-tight sealing capability allows valve body cleaning, purging, and draining.
- Stem assembly accommodates PBM Direct Mount Actuation for accurate alignment and increased cycling life.
- Forged and cast valves are low-controlled ferrite.
- True-Bore® (valve bore same as connecting tubing) – no puddling
- ASME BPE compliant
- USP Class VI elastomers and FDA compliant materials available
- Valves are full vacuum
- Certified Material Test Report (CMTRS) provided for wetted components
- Surface finishes are achieved without the use of ADIs (Animal Derived Ingredients)



SPECIFICATIONS	2-Way Valves
Sizes	1/2" - 6" Series 9, 1/2" - 4" Series 8
Material	316L, low ferrite cast and forged, Hastelloy™, AL6XN™, others
Temperatures	Ambient for TFM™ to 400° F, S-TEF® to 450°F
End Connections	Extended tube, hygienic clamp, compression ends (1/2" - 1")
Seats & Seals	White TFM™ standard, others available
Stem Packing Material	TFM™ and S-TEF®
Body Bolts & Nuts	18-8 Stainless Steel
Maximum Working Pressure	up to 900 psig CWP depending on valve series, size and temperature
Temperatures	up to 450°F depending on seat and seal material
Polish	Standard internal polish of 20 Ra ID Series 8, 30 Ra ID Series 9

CV Values (gpm), Series 8/Series 9		
Size	End Connections	
	F-	X-
1/2"	6.5	8
3/4"	23	28
1"	55	65
1-1/2"	160	193
2"	365	420
2-1/2"	700	800
3"	900	1,040
4"	1,800	2,080
6"	4,200	5,000

ID Surface Finish, Ra Readings for Valves per ASME BPE			
Surface Finish	PBM Polish Code	µ-in.	µ-m.
Mechanical Polish			
SF 1	A	20 Ra max	0.51
SF 2	A	25 Ra max	0.64
SF 3	-	30 Ra max	0.76
Mechanical Polish and Electropolish			
SF 4	G	15 Ra max	0.38
SF 5	F	20 Ra max	0.51
SF 6	F	25 Ra max	0.64

How To Order:

PRODUCT (1-2) MATERIAL (3-4)	SIZE (5) SERIES (6)	END CONNECTIONS (7-8)	SEAT & SEAL (9)	PURGES (10-11)	BALL & STEM (12)	OPERATOR (13-14)	POLISH (15-16)
---------------------------------	------------------------	--------------------------	--------------------	-------------------	---------------------	---------------------	-------------------

PRODUCT (1-2) MATERIAL (3-4)	SIZE (5) SERIES (6)	END CONNECTION (7-8)	SEAT / SEAL (9)	PURGE PORT BALL OPTIONS (10-11)	BALL / STEM OPTIONS (12)	OPERATOR (13- 14)	POLISH OPTIONS (15)
SI HL Cast (Ser. 9) 316L S / S	C 1/2" 8	F- Ext. Butt weld for Tube	G TFM Seats / Seals	-- No Purge Port Ball Option	- Standard Ball and Stem	-- W/ Standard Lever Handle	- 30 Ra ID / Mill Finish OD (Standard)
HF Forged 316L S / S	D 3/4" 9	FX Ext. Butt weld for Tube by Hygienic Clamp	J TFM Seats / Seals VTFE Cavity Fillers		F Internal / External Grounding	02 W/O Handle W/ Stem Actuator Prep	--
Other material options available - Contact PBM.	E 1"	X- Hygienic Clamp	H S-TEF® Seats / Seals			04 Locking Lever Handle	
	G 1-1/2"	SM Compression (thru 1")	I S-TEF® Seats / Seals VTFE Cavity Fillers			08 Gear Operator (Req'd for 6")	
	H 2"	G- Female Cherry Burrell	K UHMWPE Seats / Seals			18 Extended Handle (2-1/2" thru 4")	
	J* 2-1/2"	H- Male Cherry Burrell	L UHMWPE Seats / Seals VTFE Cavity Fillers			71 Extended Handle (1/2" thru 2")	
	K 3"					20 DA 80psig actuator	
	L 4"					27 DA 60psig actuator	
M* 6"	* Not available in forged.				34 SR 80psig actuator		
						41 SR 60psig actuator	

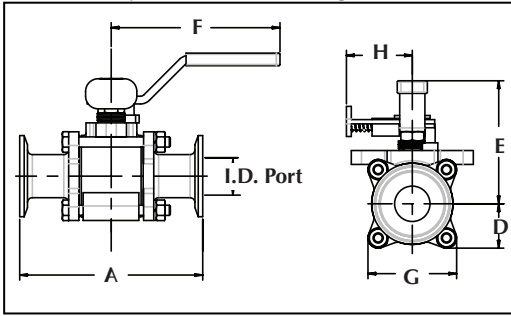
<http://pbmvalve.com/build-a-part-number>

Other seat/seal options available - Contact PBM for information

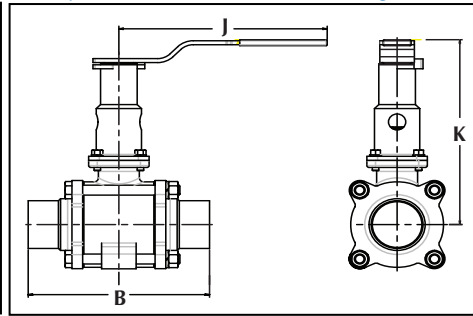
Other operator options available - Contact PBM for information

PBM Igenix® Cast Series 9/Forged Series 8 Manual

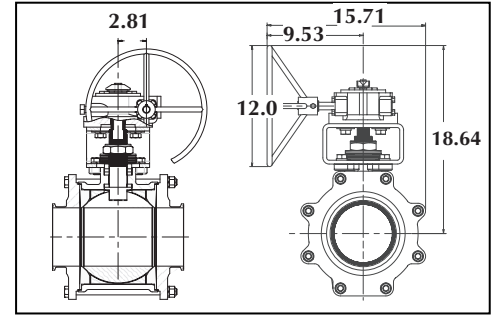
2-Way Valve with Locking Handle



2-Way Valve with Extended Locking Handle



2-Way Valve with Gear Operator (6" only)

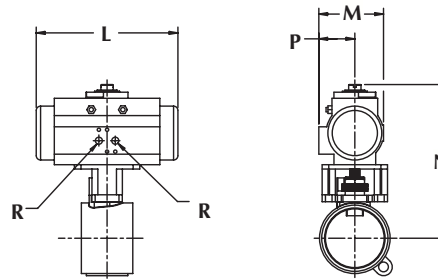


2-Way Sanitary Dimensioned valves in inches										Locking Handle		Ext. Locking Handle		
Valve Size	Size Code	I.D. Port	A	B	D	E	F	G	Approx. Wgt (lbs)	H	Hole Dia. for Lock	J	K	Hole Dia. for Lock
1/2"	C	0.37	3.50	5.50	0.75	2.05	4.00	1.50	1.1	1.55	.28	5.09	4.00	0.31
3/4"	D	0.62	4.00	6.00	0.85	2.23	4.00	1.68	1.4	1.55	.28	5.09	4.14	0.31
1"	E	0.87	4.50	6.50	1.09	3.01	4.15	2.18	2.7	1.62	.25	5.09	5.44	0.31
1-1/2"	G	1.37	5.50	7.50	1.68	5.02	8.81	3.31	8.9	2.57	.38	8.00	7.46	0.38
2"	H	1.87	6.25	8.00	2.15	4.47	8.03	4.30	15.0	2.57	.38	8.00	7.74	0.38
2-1/2"*	J	2.37	8.00	11.50	2.79	6.51	12.06	5.58	36.0	3.47	.38	12.10	11.36	0.38
3"	K	2.87	8.00	10.50	2.78	6.77	12.06	5.58	33.0	3.47	.38	12.06	11.61	0.44
4"	L	3.84	10.00	13.00	3.66	7.53	12.06	7.33	67.0	3.47	.38	12.06	12.38	0.44
6"*	M	5.78	13.00	17.00	6.18	NA	NA	12.37	164.0	NA	NA	NA	NA	NA

*Cast Series 9 Only

ACTUATED DIMENSIONS

Unit of Measure = inches
Dimensions based on actuators used with TFM™ seats.



Size	80 PSI Spring Return					60 PSI Spring Return					60, 80 PSI Double Acting				
	L	M	N	P	R	L	M	N	P	R	L	M	N	P	R
1/2"	5.55	2.80	5.45	1.61	1/8 NPT	5.55	3.17	5.90	1.77	1/8 NPT	5.55	2.80	5.45	1.61	1/8 NPT
3/4"	5.55	2.80	5.59	1.61	1/8 NPT	6.46	3.17	6.04	1.77	1/8 NPT	5.55	2.80	5.59	1.61	1/8 NPT
1"	6.46	3.17	6.51	1.77	1/8 NPT	8.27	3.72	7.22	2.07	1/8 NPT	5.55	2.80	6.06	1.61	1/8 NPT
1-1/2"	9.47	4.17	9.65	2.30	1/8 NPT	10.83	4.84	9.65	2.68	1/4 NPT	8.27	3.72	9.10	2.07	1/8 NPT
2"	10.83	4.84	10.45	2.68	1/4 NPT	13.11	5.39	11.80	2.87	1/4 NPT	8.27	3.72	9.39	2.07	1/8 NPT
2-1/2"	13.11	5.39	13.48	2.87	1/4 NPT	14.65	5.83	13.96	3.15	1/4 NPT	13.11	5.39	13.48	2.87	1/4 NPT
3"	14.65	5.83	14.21	3.15	1/4 NPT	17.13	6.46	15.10	3.44	1/4 NPT	13.11	5.39	13.73	2.87	1/4 NPT
4"	17.13	6.46	15.86	3.44	1/4 NPT	19.69	7.32	16.80	3.90	1/4 NPT	13.11	5.39	14.51	2.87	1/4 NPT
6"	22.78	8.54	23.02	4.29	1/4 NPT	22.64	11.42	27.78	5.71	1/4 NPT	22.78	8.54	23.02	4.29	1/4 NPT

Tube OD	Manual Valves with Tube Ends when used with insulation	
	Insulation max with no extension	Insulation max with extension
0.50	0.76	2.68
0.75	0.79	2.72
1.00	1.45	3.88
1.50	3.10	5.57
2.00	2.31	5.60
2.50	4.00	8.88
3.00	4.08	8.88
4.00	4.35	9.12



<http://pbmvalve.com/valves/2-way-truebore®-valve>

<http://pbmvalve.com/maintenance-instructions>

www.PBMValve.com

PBM, Inc. • 1070 Sandy Hill Road, Irwin, PA 15642

Phone: 800.967.4PBM • 724.863.0550

E-mail: info@pbmvalve.com

© Copyright 2017 PBM, Inc. PB-SI89

