



PBM VALVE SOLUTIONS

Sanitary Igenix® Block & Bleed Valves

Features:

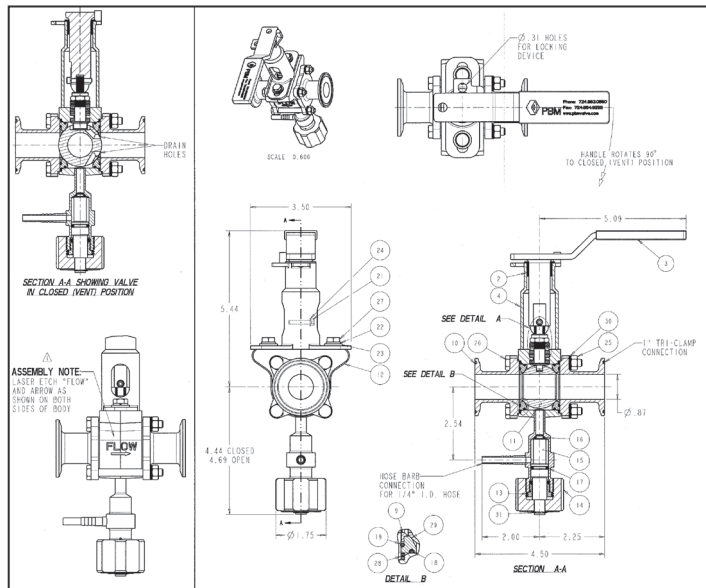
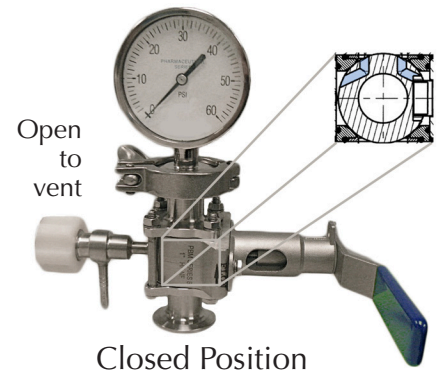
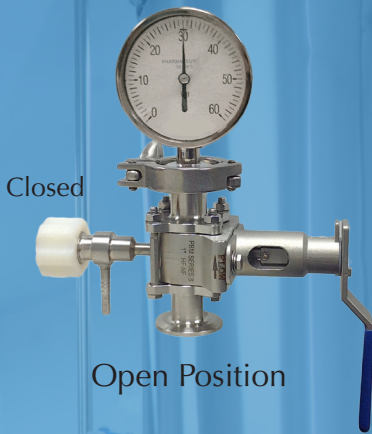
- Adjust-O-Seal® design safely allows for process isolation and instrument bleed.
- Ability to isolate, bleed off pressure and safely remove instruments which are in service on continuous service (ie..clean steam lines).
- Allows instruments to be removed for calibration or replacement without shutting down main process lines.
- Retrofittable center section for existing installed PBM valve

Problem:

- Common instrument isolation valves retain pressure at the instrument even when the isolation valve is off.

Safe Solution:

- PBM Sanitary Block & Bleed Valve prevents pressure build up near instrument. Once the instrument is de-energized, it allows the operator to safely disconnect the instrument.



Use PBM's Igenix® Sanitary Block & Bleed Valve to safely isolate the instrument. This valve allows pressure to be vented safely prior to removing the instrument in place.



www.PBMValve.com

PBM, Inc. • 1070 Sandy Hill Road, Irwin, PA 15642
 Phone: 800.967.4PBM • 724.863.0550 • Fax: 724.864.9255
 E-mail: info@pbmvalve.com

